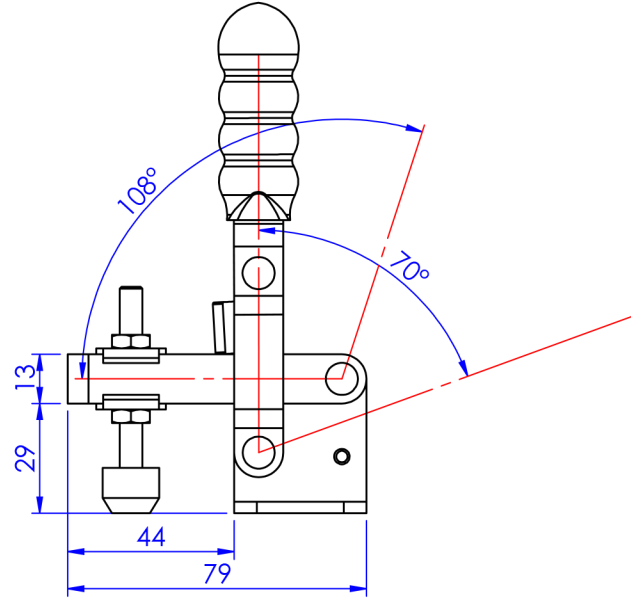
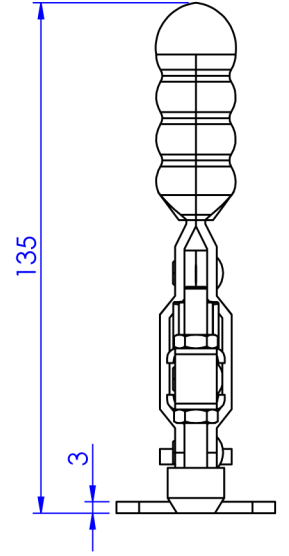
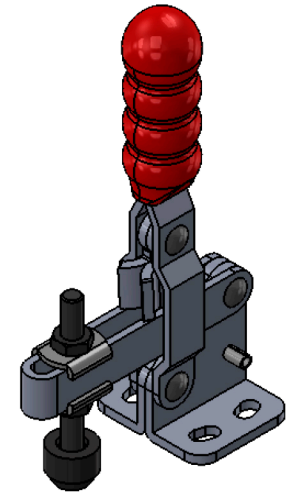
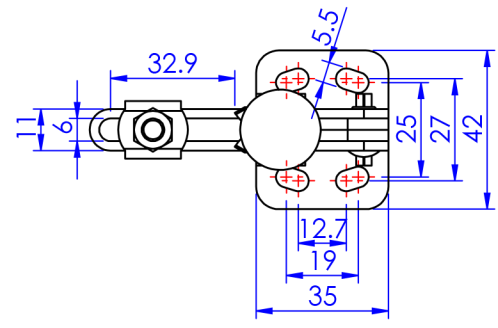


Part No:	GH-12002-B
Holding Capacity:	150Kg
Bar Opens:	108°
Handle Opens:	70°
Weight:	0.244Kg
Spindle Supplied:	SA-065010+NC-06
Flanged Washers:	FW-140



Unit:mm

Scale: 1:2

TITLE:	
DWG NO.	GH-12002-B
A4	