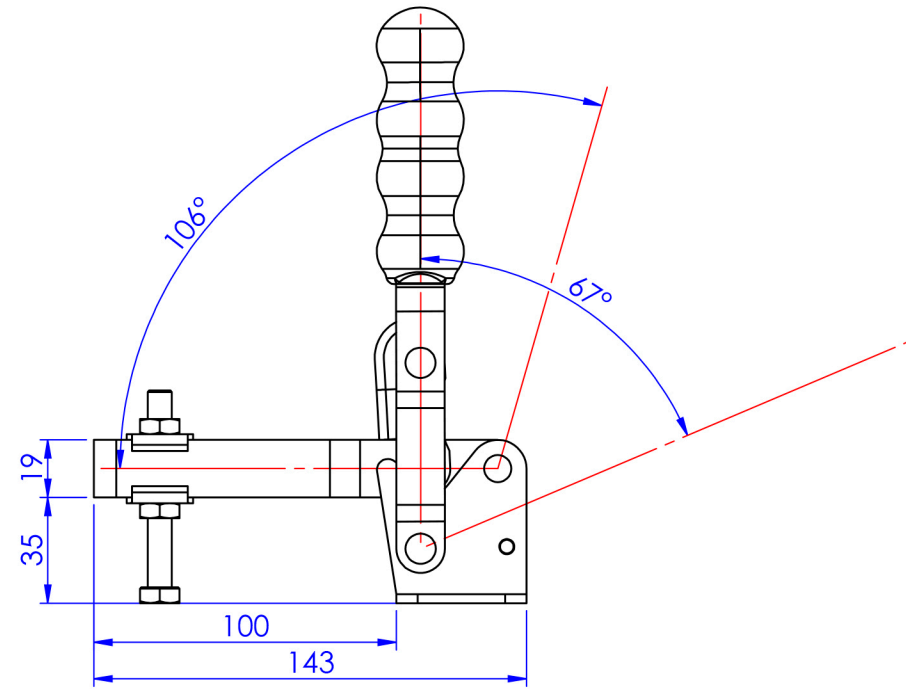
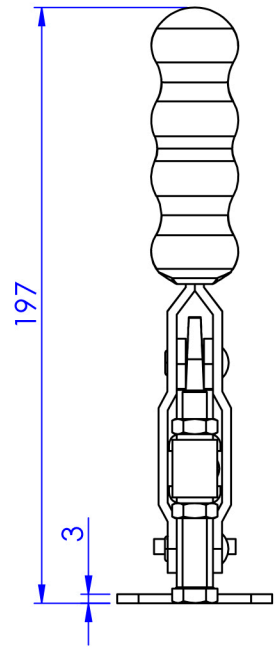
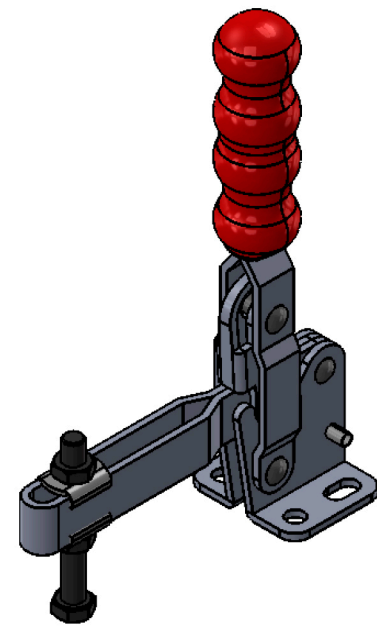
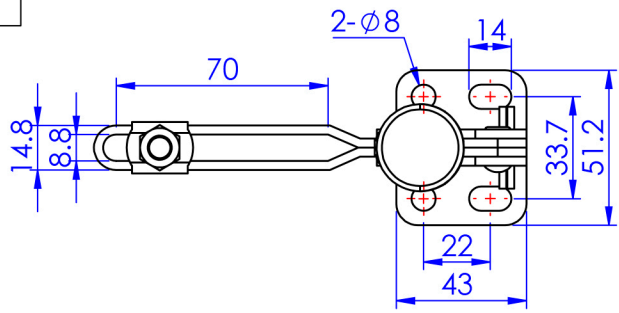


Part No:	GH-13002-B
Holding Capacity:	250Kg
Bar Opens:	106°
Handle Opens:	67°
Weight:	0.525Kg
Spindle Supplied:	SA-086512
Flanged Washers:	FW-516



Unit:mm
Scale: 1:2.5

TITLE:	
DWG NO.	GH-13002-B
A4	