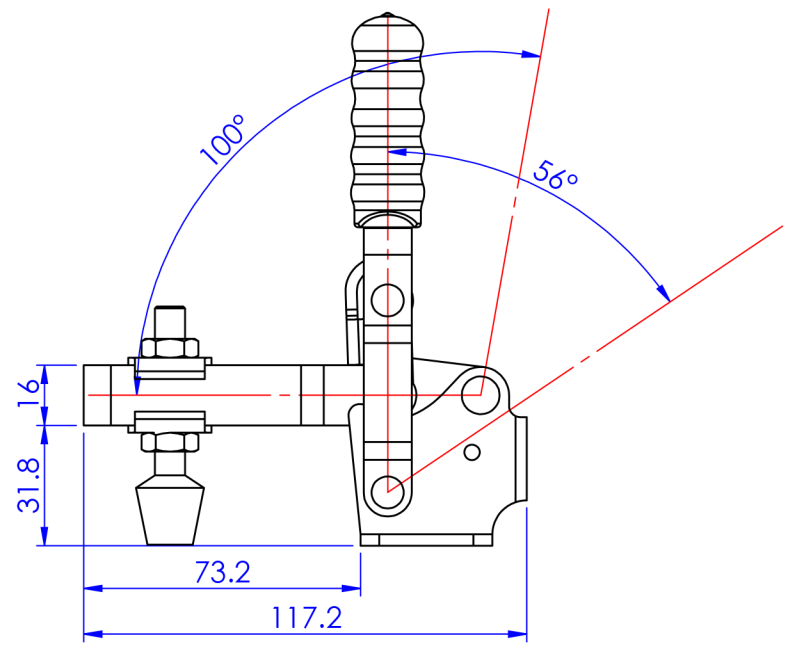
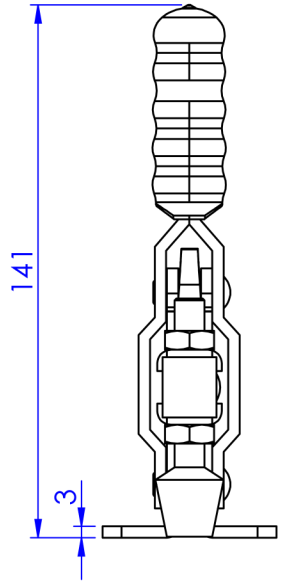
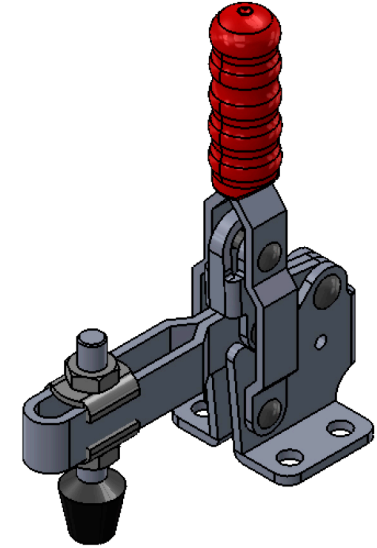
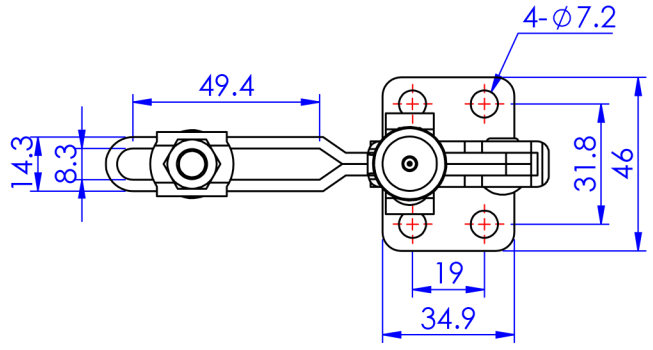


Part No:	GH-12130
Holding Capacity:	227Kg
Bar Opens:	100°
Handle Opens:	56°
Weight:	0.36Kg
Spindle Supplied:	FC-086312
Flanged Washers:	FW-516



Unit:mm  
Scale: 1:2

TITLE:	
DWG NO.	GH-12130
A4	