



CMT **ORANGE
TOOLS™**

CMT650

Worktop Jig

Sistema de junta para encimeras de cocina

Système de jonction pour les plans de cuisine

Sistema di giunzione per piani da cucina

Verbindungssystem für Küchenarbeitsflächen

Instruction Manual	EN	p.	2
Manual de instrucciones	ES	p.	16
Manuel d'utilisation	FR	p.	30
Manuale di istruzioni	IT	p.	44
Gebrauchsanweisungen	DE	S.	58

Index of Contents	2
What's in the Box	3
What else you will need	4
General Safety Instructions	5-6
CMT worktop jig configuration	7
General guidelines for cutting Worktop joints	8
Cutting 90 degree worktop joints	9-10-11
Cutting out of square joints	12
Cutting 45-degree worktop joints	13
Cutting the worktop joint clamp recesses	13
Assembling worktop joints	14
Other applications for the CMT650 worktop jig	14-15

SAFETY!!!

The symbols shown on the cover of this manual advise that you wear the correct safety protection when using this machine.

Safety Protection Symbols





Model Number: CMT650 Worktop Jig

Nr. 1 A CMT650 Phenolic plastic worktop jig

Nr. 3 B Positioning pegs fitted with rubber O-rings (2 rings per peg)

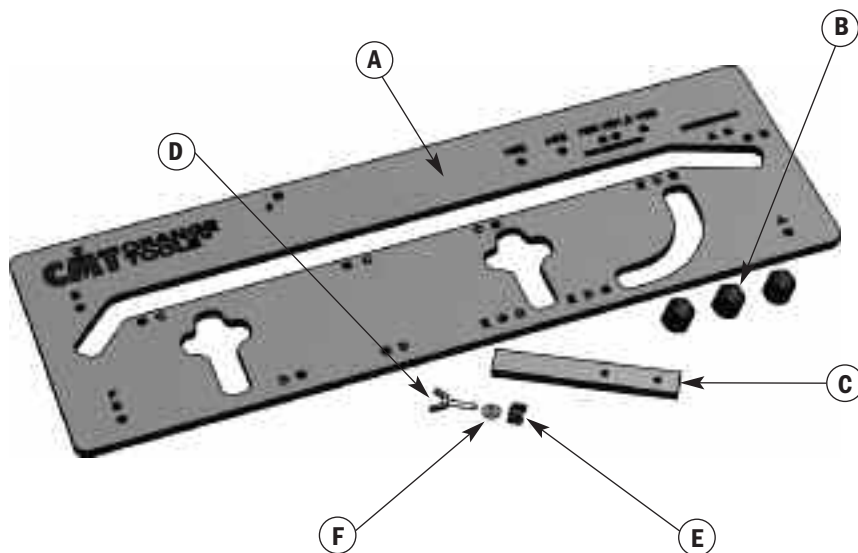
Nr. 1 C Phenolic length stop finger

Nr. 1 D M8 knob

Nr. 1 E M8 countersunk bolt

Nr. 1 F M8 washer

Nr. 1 Instruction Manual



- A** Heavy duty router with 12mm or 12.7mm (1/2") collet
- B** 30mm guide bush (code 899.007.00)
- C** Collet spanner and guide bush fixing screws
- D** Pair of clamps (ideally long reach with soft facings or pads to protect face of worktop)
- E** Ø12mm x 50mm (40mm for thinner worktops) router cutter (either 2 flute cutter or replaceable tip cutter).
- F** Ear protectors and safety goggles or visor



Good Working Practices/Safety

The following suggestions will enable you to observe good working practices, keep yourself and fellow workers safe and maintain your tools and equipment in good working order.



WARNING!!!

Keep tools and equipment out of the reach of young children.

Safety Guide Lines

1. Ensure that you are conversant with using the router before attempting to use this Jig.
2. Always follow the router manufacturers guidelines and safety procedures.
3. If you have not used a worktop jig previously, make a series of trial cuts in scrap pieces of worktop to gain experience of the procedure, sequence and cutting characteristics of both the material, router and jig.
4. Always wear protective goggles and earmuffs when routing.
5. Always wear a dust mask or respirator and use dust extraction equipment whenever possible.
6. Avoid wearing loose clothing and keep long hair tied back.
7. Always remove spanners/keys from the router and do not leave them loose on the work surface or jig while routing.
8. Always switch off and wait until the router cutter has stopped rotating before lifting the router from face of the work.
9. Always clamp the worktop to a secure rigid surface while cutting.
10. Whenever possible always cut the worktop joints before cutting the tops to length.

Cutters and Collets

When cutting worktops the abrasive nature of the chipboard core and laminate faces rapidly wears the cutting edges of any cutter including tungsten carbide tipped cutters. Any cutter is unlikely to cut more than three complete worktop joints perfectly cleanly (i.e. male and female parts). Ensure that cutters are cleaned and sharpened (hand sharpened on a diamond stone) between cutting each complete joint.



Ensure that the cutter is correctly held in the router collet
(see router manufacturers instruction manual)

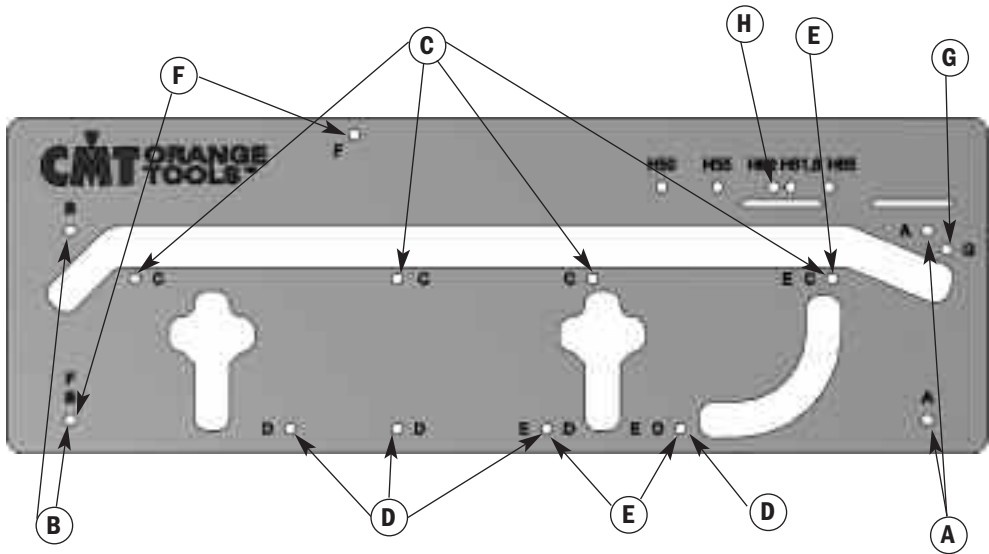


Always check that the guide bush is fitted concentric to the cutter, preferably using a centering mandrel.

For precise positioning on the worktop, the CMT worktop jig is fitted with three steel stops fitted into specific holes in the jig to suit each specific operation.

Each stop is fitted with two neoprene o-rings to hold it securely into the hole. If the stop is difficult to fit, apply a drop of oil or soap to the o-rings.

Ensure that the stops are pushed fully into the holes flush to the underside of the jig.



The holes for the steel stops are indicated by letters for each specific operation

- A.** 2 holes - outer part of 45° joint
- B.** 2 holes - outer part of 90° joint
- C.** 4 holes - inner part of 90° and 45° joints
- D.** 4 holes - fixing holes for clamps
- E.** 3 holes - radius finishing of corners (r8,2)
- F.** 2 holes - 45° finishing of corners
- G.** 1 hole - inner part of 45° joint
- H.** 1 hole - inner part of 90° joint (worktop 500, 550, 600, 616, 650mm only)

NOTE: The CMT jig must be used with a 30mm guide bush and a 12mm cutter fitted to the router. This allows for a cutter offset from the edge of the jig of 9 mm.

Always ensure that you are cutting from the correct face and into the postform (rounded) edge of the worktop. When cutting, the direction of rotation of the cutter (i.e. clockwise) will cut cleanly into the left hand side of the cut, but will tear the face off of the right hand side. Therefore the waste portion of the worktop must always be on the right hand side.

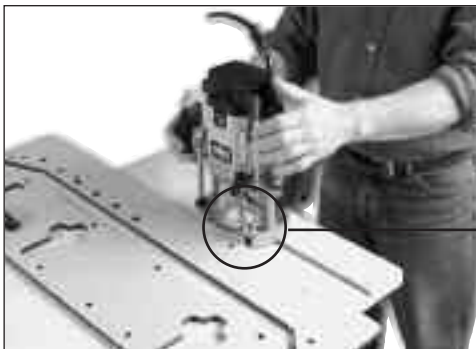


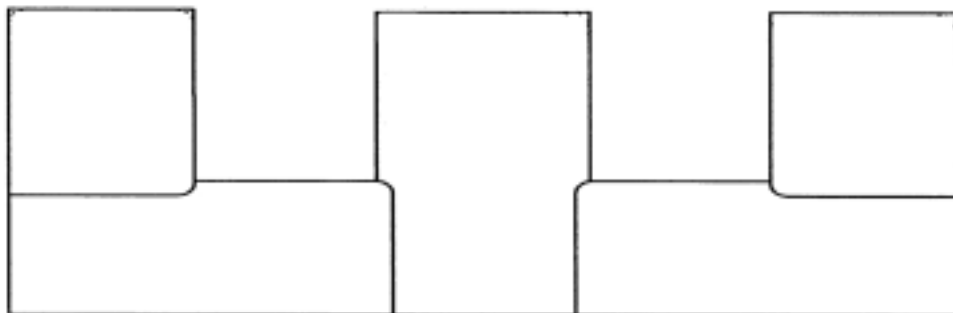
When cutting worktops to length etc, use a jigsaw to cut away much of the waste to within 3mm of the required cut line and then trim the cut edge with the router guided against the edge of the jig. This will leave a straight square edge to align the jig stops against.

Remember always cut into the post-form edge, never out of it.

Always fit soft packing under the clamp heads when clamping against the laminate face of the worktop.

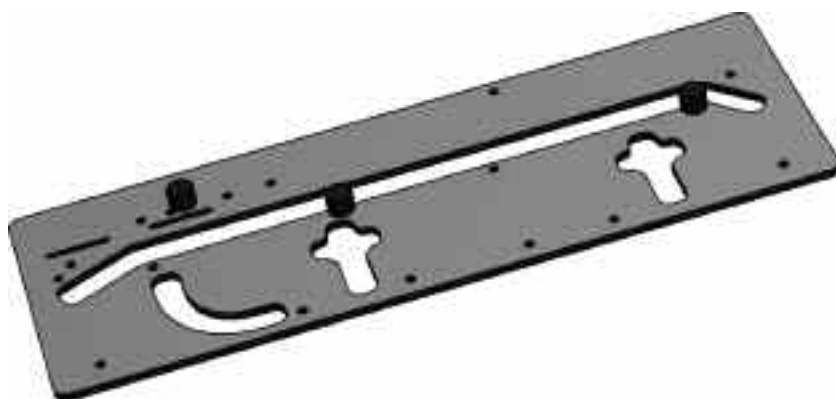
When possible always leave the worktop over-length to allow the joint to be re-cut if incorrectly cut the first time.



**PLEASE NOTE!!!**

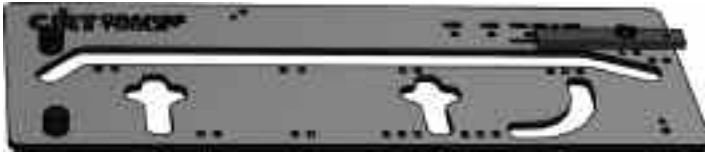
When cutting a 90-degree joint to the right hand end of the worktop, have the worktop (decorative laminate) face up. For the matching male joint turn the worktop face down. When cutting a 90-degree joint to the left hand end of the worktop, have the worktop (decorative laminate) face down. For the matching male end joint turn the worktop face up.

The first step is to set the jig to suit the width of the worktop. If it is a standard 600mm worktop, then stop position **H** can be used. If there is any discrepancy in the exact width or if the worktop is wider or narrower than this then the sliding width stop must be used.



Using the sliding stop:

To position the sliding stop, fit it to the underside of the jig with the clamping screw, secured by the clamping knob and washer, through the respective groove. Fit two stops in holes **B**, hold these tight to the front face of the worktop, checking that the jig is square to it. Adjust the sliding stop up to the rear edge and tighten the clamp.

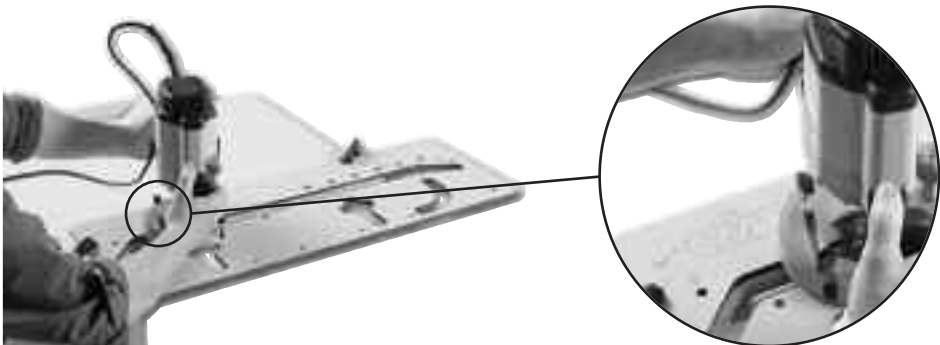


Cutting the female edge:

Position the stops in holes C on the jig (See Page 7). There is one stop that sits against the end of the worktop and two along the front face. The front stops are set in two of the four holes, the width of the worktop determining the distance apart. Ensure that all stops are tight against the worktop edges before clamping the jig to the worktop. Ensure that the clamps do not infringe the path of the router.

Cutting:

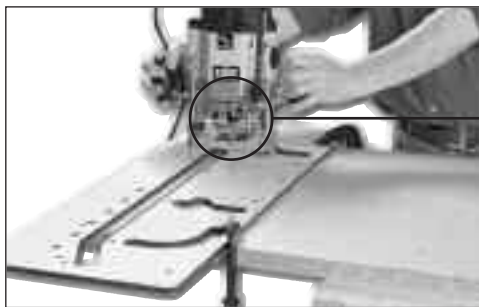
Make the cut in a series of shallow passes, the finer the cut the less effort being placed on the cutter and the easier it will be to control the router. Keep the feed speed constant and ensure that the router remains level on the face of the jig. Always work from left to right, keeping the guide bush against the edge. To finish, press the guide bush a little harder against the cut edge of the worktop and make a final fine pass across the full edge depth.



Cutting the male section:

First turn and check that the worktop is the correct way up.

When cutting the male edge, leave the sliding width stop or stop **H** in position and fit two stops in the holes **B**. Position and clamp the jig across the end of the worktop, ensuring that it is square to the front edge and that the stops are tight against the end. Support the waste end of the worktop to the jig using a clamp or by supporting it on a sacrificial work-surface below (to prevent it dropping and tearing the laminate at the end of the pass). Cut the joint face following the same routing procedure as for the female cut.



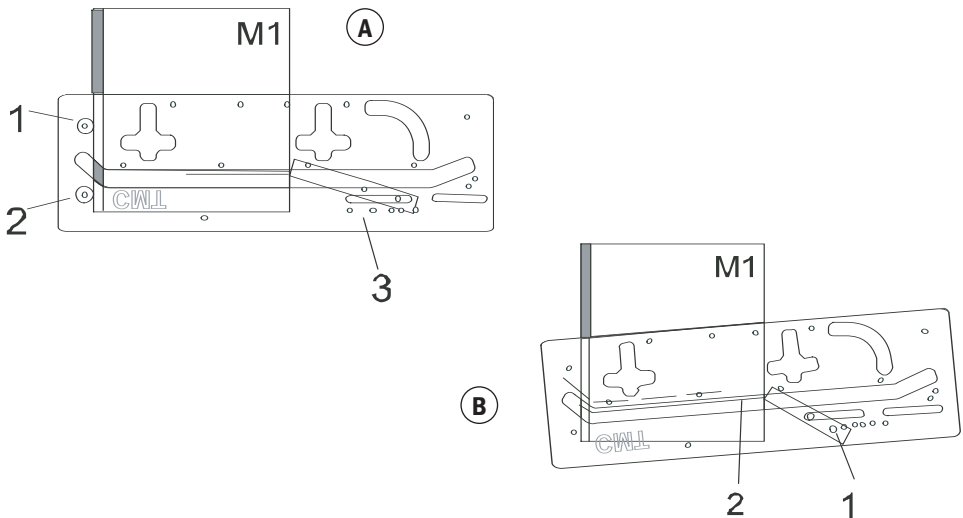
Compensating for out of square walls:

Slight variations can be accommodated with worktop jigs, but only up to approximately 3 degrees either way. However these joints will never be as precise as a true 90-degree worktop joint. The angle is always cut on the male section of worktop.

Where possible place the worktops in position with the male section over the female. If space does not allow this, use a gauge or other method to take off the angle and transfer it to the worktop. Remember which end you are cutting and turn them face up or down as necessary. Mark the inner edge of the female section on the underside of the male section. This line will be the cut line for the angled male section. Turn the male section over and mark the angled line clearly. From this line draw a line parallel to it and 9mm from it (to allow for the guide bush margin).

See Diagram A: Fit the two stops into holes **B** on the jig and, with the sliding stop loose, position the jig over the worktop with the two stops against the front edge so that it is square. Check that the stops are tight against the front edge and clamp the jig to the worktop. Draw a line 9mm parallel to the edge of the jig. Position the edge of the square sliding stop against the end of this line and tighten the clamping screw.

See Diagram B: Unclamp and remove the two front stops. Lay the jig on the cut line with the point of the sliding stop on the rear end of the angled cut line. Pivot the jig around this point until the guide edge is parallel to the angled cut line, but 9mm away from it. Clamp the jig securely to the worktop and cut the male joint following the routing procedure as before.



Cutting 45-degree worktop joints...

To cut 45-degree corner joints on worktops, use the 22.5 mm angled end of the CMT650 jig.

As with 90-degree worktop joints, for 45-degree joints the worktop must be cut with the correct face upwards depending on whether it is a right or left-hand end or female or male joint edge.

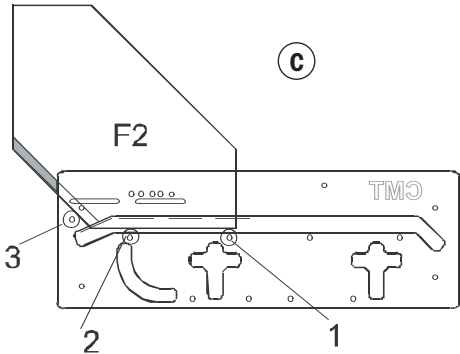
The first step when cutting 45-degree joints is to carefully set out and cut the 45-degree angle on the relative end of the worktop (leave the worktop over length if possible to allow joint to be re-cut if incorrect). When cutting worktops to length etc, use a jigsaw to cut away much of the waste to within 3mm of the required cut line and then trim the cut edge with the router guided against the edge of the jig or a straight edge. This will leave a straight square edge to align the jig stops against.

Cutting the female edge (See Fig C):

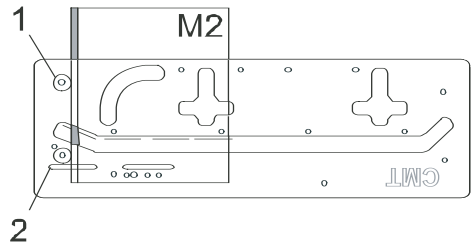
Insert two stops into holes **C** and one into hole **G**. Position the jig on the worktop with the **G** stop against the front edge and the **C** stops against the angled cut edge. Make the cut with the router following the same procedure as for 90-degree joints.

Cutting the male edge (See Fig D):

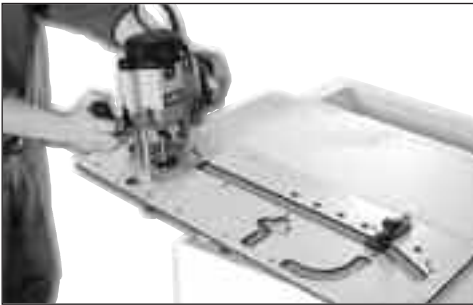
Insert the stops into holes **A**, hold them tight against the front edge of the worktop and clamp the jig firmly. Make the cut with the router following the same procedure as for 90-degree joints.



D



Cutting the worktop joint clamp recesses...



To cut the clamp recesses, fit two stops in the jig holes D. The positioning of the clamps should be no less than 100mm in from the front edge of the worktop. However the spacing between them can be as on the jig or altered to suit the worktop width. Remember to match them on both adjoining sections of worktop, setting-off from the front edge by measuring or transfer batten.

Butt the stops against the joint edge and clamp it firmly. Cut the recesses to a depth so that the clamp bolt is approximately centred on the thickness of the worktop. The same 30mm guide bush and 12mm cutter is used for this operation, cutting in a series of shallow passes and taking out all of the waste from the recess.

When assembling worktop joints it is advisable to insert biscuit dowels (size No 20) to assist in aligning the worktop surfaces and prevent movement between the faces. Recesses for the biscuits can be cut with the router or a biscuit jointer between the clamp recesses inserting no less than 4 dowels along a 600mm width of worktop.

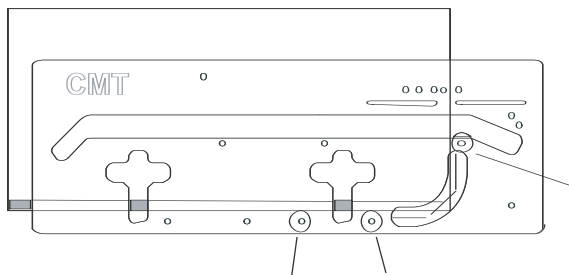
For cutting biscuit recesses with the router, use (code 822.340.11) a 4mm thick x 47.6mm slotting cutter and a 22mm diameter guide bearing (to give a 12.8mm recess (No 20 biscuit is approximately 24mm wide). [Order no for biscuit joint cutter, arbor and bearing 822.340.11B (1/2" shank) or 822.340.11A (1/4" shank)] or 922.340.11A (shank Ø8mm) or 922.340.11B (shank Ø12mm).

The two cut chipboard faces of the joint must be sealed on assembly to prevent the ingress of water. This can be done using a fully waterproof adhesive or better, a coloured worktop sealant/adhesive. The latter are available in a range of colours that can be mixed and matched to blend with the colour of the worktop laminate. On cheaper worktops it may be found that the chipboard core spreads or breaks-out slightly on cutting. This will need to be trimmed back lightly with abrasive paper before assembly. Take care not to touch the laminate edge when doing this.

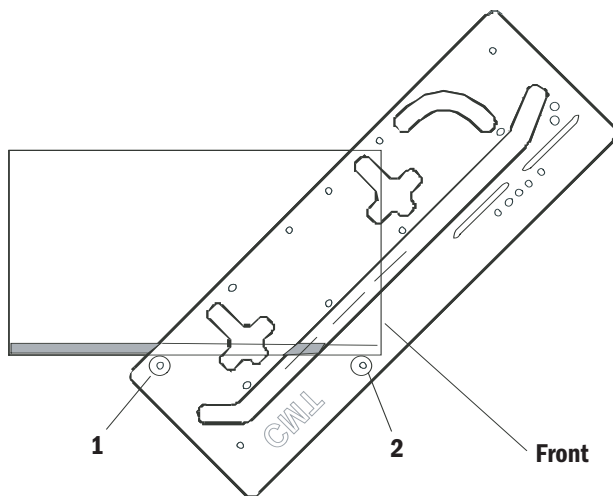
Other applications for the CMT650 worktop jig...

Radius corners and 45-degree corners:

To cut radius corners on worktops and peninsular units, insert three stops into holes **E** make the cut with the router in a series of shallow passes as previously described.



To cut 45-degree corners on worktops and peninsular units, insert two stops into holes **F** and make the cut with the router in a series of shallow passes as previously described.



Indice	58
Contenido de la caja:	59
Herramientas necesarias:	60
Normas de seguridad	61-62
Sistema de junta para encimera de cocina CMT650	63
Instrucciones para la realización de conexiones	64
Realización de una conexión a 90 grados	65-66-67
Realización de conexiones de ángulo recto	68
Realización de conexiones a 45 grados	68-69
Realización de los asientos para los tirantes de la encimera	69
Ensamblaje de la encimera de cocina	70
Otros empleos del CMT650	70-71

¡¡ATENCIÓN!!

Los símbolos utilizados en este manual les aconsejan las protecciones correctas a utilizar durante el trabajo

Símbolos de las protecciones





Código CMT650 Sistema de junta para encimeras de cocina

Nr. 1 A Plantilla para encimeras de cocina de fenólico

Nr. 3 B Perno de tope de metal galvanizado

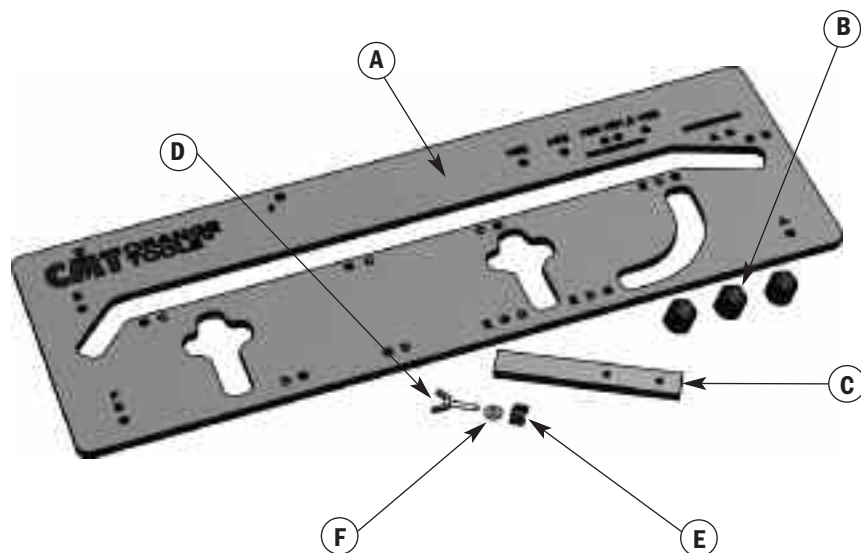
Nr. 1 C Perno de tope deslizante de fenólico

Nr. 1 D Tuerca con arandela de apriete de plástico

Nr. 1 E Bulón M8

Nr. 1 F Arandela M8

Nr. 1 Manual de instrucciones



- A** Electro-fresadora portátil con pinzas de 12 o 12,7 mm
- B** Camisa de guía Ø30mm (código 899.007.00)
- C** llaves y tornillos para fijación camisa de guía
- D** Dos abrazaderas (la mejor solución versión larga con revestimiento suave o cojinete de protección de la plantilla)
- E** Fresa Ø12mm x 50mm (40mm para placas más sutiles)
- F** Auriculares, gafas o viseras



¡Procedimientos correctos de mecanización para vuestra seguridad!

Las sugerencias que les enunciamos a continuación os permitirán respetar los procedimientos correctos de mecanización y asegurarles una seguridad total y también les ayudará a conservar las herramientas y equipos en buen estado para el próximo empleo.



¡¡ATENCIÓN!!

Mantener las herramientas y los equipos lejos del alcance de los niños

1. Asegúrese de saber usar bien la fresadora eléctrica antes de utilizar el sistema de junta para cocinas CMT650.
2. Siga siempre las instrucciones suministradas por el fabricante de la fresadora y los procedimientos de seguridad.
3. Si es la primera vez que utiliza un sistema de conexión para encimera de cocina, ejecute una serie de pruebas en piezas de descarte para adquirir mayor confianza con los procedimientos, la secuencia de los pasos y las características de los tipos de fresado, tanto de los materiales, de la fresadora como de la plantilla.
4. Use siempre los auriculares y gafas de protección durante el trabajo.
5. Use siempre una mascarilla para el polvo o un respirador y, si es posible, use aparatos para aspirar el polvo.
6. Evite usar prendas holgadas y los cabellos sueltos.
7. Quite siempre las llaves o pinzas de la fresadora y no las deje sobre el plano de trabajo o en la máscara durante el trabajo.
8. Apague siempre la fresadora y espere que haya dejado de girar antes de alzarla.
9. Fije siempre el plano a una superficie rígida y segura durante la operación de fresado.
10. Si es posible corte siempre las uniones antes de cortar la longitud definitiva.

Fresas y Pinzas

Cuando se realizan encimeras de cocina la naturaleza abrasiva del tablero de viruta de madera y su revestimiento desgastan rápidamente la hoja de cada fresa, incluso de aquellas que tienen pastillas de carburo de tungsteno. Es muy difícil que con una misma fresa pueda realizar más de tres encimeras de cocina sin que se astillen. Cerciórese siempre que las fresas estén limpias y afiladas (a mano o con una piedra diamantada).

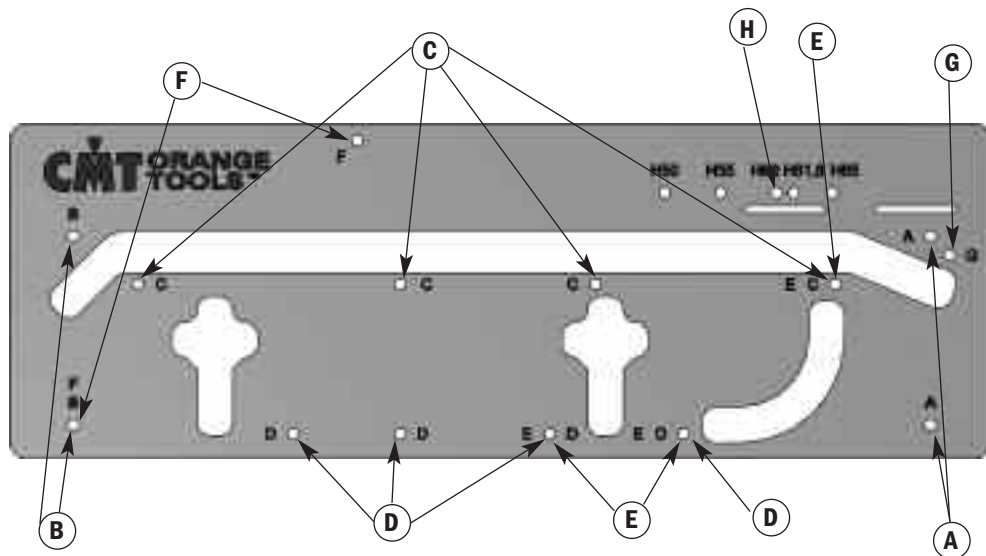


*Cerciórese que la fresa esté fijada correctamente a la pinza de la fresadora.
(ver el manual de instrucciones de la electrofresadora).*



Controle siempre que el aro de guía esté centrado respecto a la fresa, use un perno para el centrado.

Para obtener un posicionamiento correcto en la encimera, el sistema de conexión para encimeras de cocinas CMT650 está dotado de tres pernos de tope de metal galvanizado que, ubicados en los orificios pre-determinados, permiten distintas mecanizaciones. Cada perno de tope tiene dos aros de neopreno que se fijan aún más firmemente al sistema de conexión para encimeras de cocinas CMT650. Si el perno de tope se fija con dificultad aplique un poco de aceite o de jabón en los aros. Cerciórese que el perno de tope esté bien fijado en los orificios y que no sobresalgan de la parte inferior del sistema de conexión para encimeras de cocinas CMT650.



Los orificios para los pernos de tope de metal están indicados con una letra que corresponde a una mecanización específica:

- A. 2 orificios - parte exterior de la junta a 45°
 - B. 2 orificios - parte exterior de la junta a 90°
 - C. 4 orificios - parte interior de las juntas a 90° y 45°
 - D. 4 orificios - orificios de fijación de los tirantes
 - E. 3 orificios - acabados radiados de los ángulos (r8,2)
 - F. 2 orificios - acabados de los ángulos a 45°
 - G. 1 orificios - parte interior de la junta a 45°
 - H. 1 orificios - parte interior de la junta a 90°
- (solo encimeras de 500, 550, 600, 616, 650mm)

NOTAS: el sistema de conexión debe ser utilizado con una camisa de guía de 30 mm y una fresa de $\varnothing 12\text{mm}$.

Cerciórese siempre de haber fresado el lado correcto y hacia el borde redondeado de la encimera. Durante el mecanizado la herramienta que gira en sentido horario efectuará el fresado de modo preciso en la parte izquierda del corte pero mellará la superficie de la parte derecha, por lo tanto, deberá siempre dejar el material de descarte a la derecha.



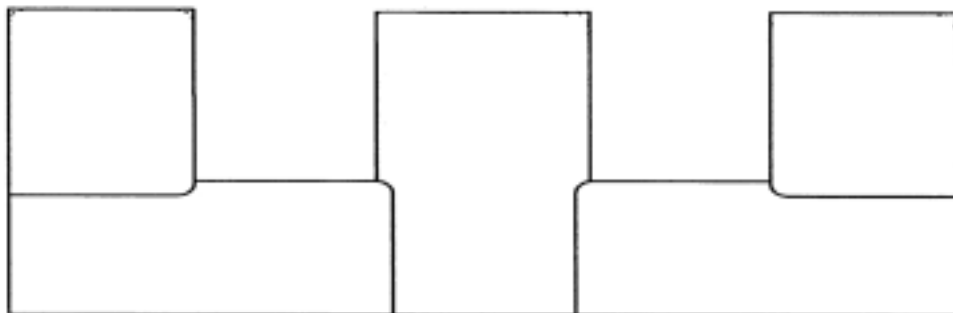
Cuando corte las placas use una sierra para eliminar la parte excedente dejando un desperdicio de 3 mm y luego acabe el borde cortado con la fresadora haciéndola desplazar a lo largo del borde del CMT650. De este modo obtendrá un borde escuadrado donde alinear los pernos de tope del sistema de conexión para encimeras de CMT650.

¡Recuerde fresar la parte interna del borde redondeado y nunca la parte exterior!

Cuando use abrazaderas recuerde de colocar un material blando entre la abrazadera y el lado revestido de la placa.

Si es posible, deje la encimera siempre un poco más larga para poder introducir modificaciones a la junta en el caso que se hubiera equivocado en realizar el primer corte



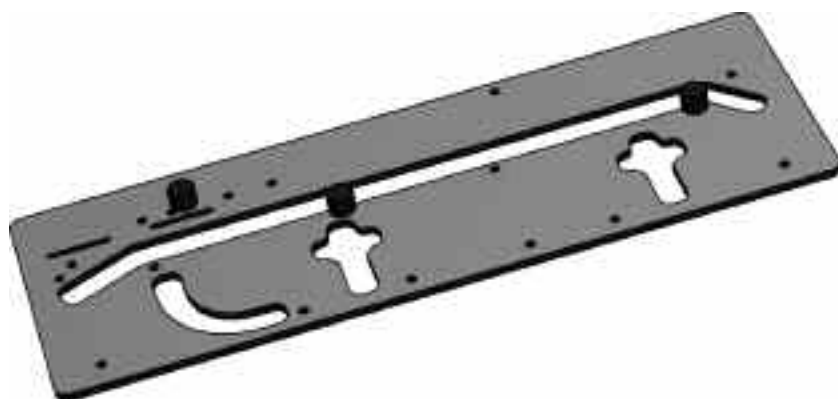


¡¡ATENCIÓN!!

Cuando ejecute una junta a 90° hacia la derecha deje la parte revestida hacia arriba. Para la correspondiente junta macho, dé vuelta la encimera.

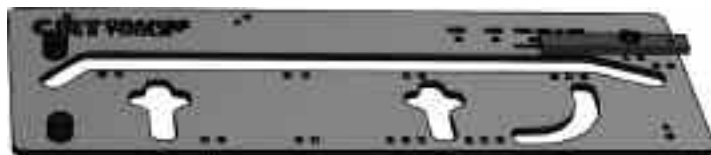
Cuando ejecute una junta a 90° hacia la izquierda deje la parte revestida hacia abajo. Para la correspondiente junta macho, dé vuelta la encimera.

Primero posicione la plantilla para adaptarla al ancho de la encimera. Si se trata de una encimera estándar de 600 mm use los orificios H. Si existen diferencias en el ancho de la encimera o si fuera más ancha o más estrecha de 600 mm, utilice el perno de tope deslizable.



Utilización del perno de tope deslizable

Una vez posicionado el perno de tope deslizable fíjelo por la parte inferior de la plantilla con el bulón M8 en dotación, asegurándolo con la tuerca de fijación D y la arandela F a través de los orificios abocinados. Introduzca dos pernos de tope en los orificios B, presiónelos contra la parte superior de la encimera, controlando que la plantilla esté perpendicular a la encimera. Ajuste el perno de tope deslizable hasta el borde posterior y fije la abrazadera en dotación.

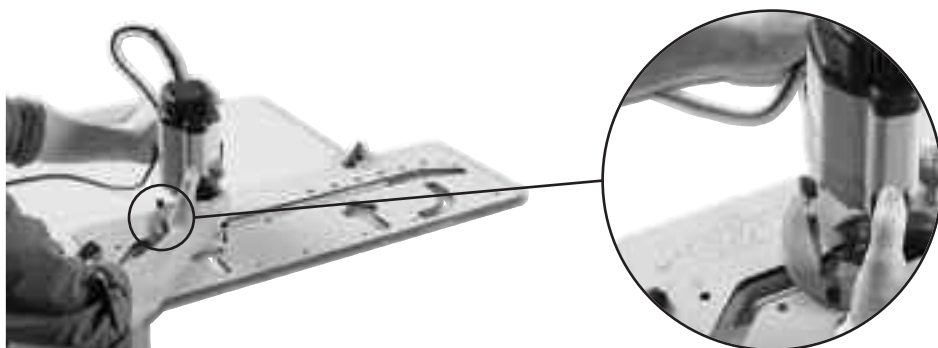


Corte de la junta hembra

Posicione los pernos de tope en los orificios C (ver página 21). Un perno de tope presionará contra el extremo de la encimera y dos de ellos a lo largo de la parte frontal. Posicione el perno de tope por delante en dos de los cuatro orificios, el ancho de la encimera determinará su distancia. Asegúrese que todos los pernos de tope estén bien adheridos a los bordes de la encimera antes de fijar la plantilla a la encimera con las abrazaderas. Éstos no deben obstaculizar los movimientos de la fresadora.

Corte

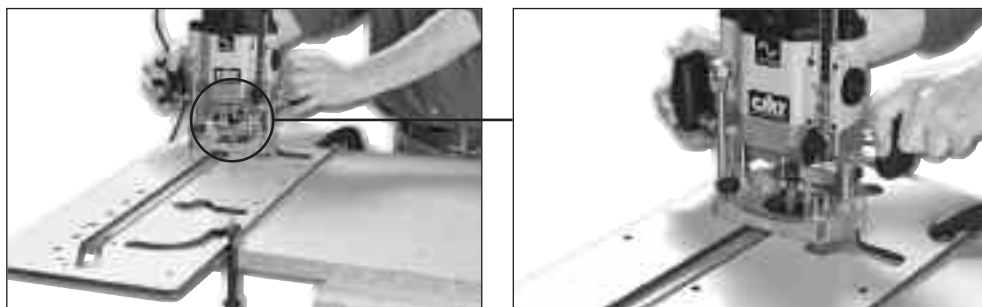
Ejecute el corte en una serie de pequeños pasos, cuanto más sutil será el corte menor será la presión ejercida en la fresadora eléctrica que podrá ser controlada más fácilmente. Mantenga una velocidad constante y cerciórese que la fresadora permanezca perpendicular a la plantilla y siempre en contacto con la misma. Efectúe siempre el fresado de izquierda a derecha manteniendo la camisa de guía pegada al borde. Por último, empuje la fresadora con más fuerza hacia el borde cortado y ejecute el paso final en toda la profundidad.



Corte de la junta macho

Primero dé vuelta la encimera y controle que esté en la posición justa. Cuando corte el macho, deje el perno de tope deslizante o el perno de tope H donde se encuentra e introduzca dos pernos de tope en los orificios B.

Posicione y fije la plantilla en el extremo de la encimera, cerciorándose que esté perpendicular al borde de adelante y que los pernos de tope estén bien adheridos al extremo. Sostenga la parte de descarte de la placa usando una abrazadera o con otro plano de trabajo para evitar que, cayendo, arruine la parte revestida. Frese esta pieza exactamente como ha hecho con la parte hembra.



Compensación para bordes no escuadrados.

Con el CMT650 puede efectuar pequeñas correcciones hasta un máximo de 3°. Estas uniones, naturalmente, nunca serán tan precisas como aquellas a 90°. La compensación deberá ejecutarse siempre en la junta macho. Si es posible posicione el macho sobre la hembra, si no tiene bastante espacio para hacerlo, use un calibre cónico u otro método para calcular el ángulo y reproducirlo en la encimera. Controle cual parte va a fresar y posicione la encimera de consecuencia. Marque en la parte de atrás del macho el borde interno de la parte hembra, esta línea marcará la línea de corte del ángulo del macho. Dé vuelta el macho y marque bien la línea.

Figura A: Introduzca dos pernos de tope en los orificios B y, utilizando el perno de tope deslizante, posicione la plantilla sobre la encimera con los dos pernos de tope contra el borde anterior para que estén perpendiculares. Controle que los pernos de tope estén bien adheridos al borde anterior y fije la plantilla con abrazaderas a la encimera. Posicione la parte puntiaguda del perno de tope deslizante contra la parte final de esta línea y fije las abrazaderas.

Figura B: Quite los dos pernos de tope anteriores. Posicione la plantilla sobre la línea de corte con la punta del perno de tope deslizante en la parte final de la línea de corte del ángulo. Dé vuelta a la plantilla haciendo perno sobre este punto hasta que el borde de la guía esté paralelo a la línea de corte de ángulo. Fije firmemente la plantilla a la encimera y corte la junta macho siguiendo el mismo procedimiento ilustrado anteriormente.

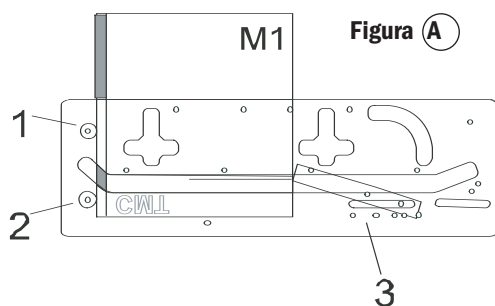


Figura A

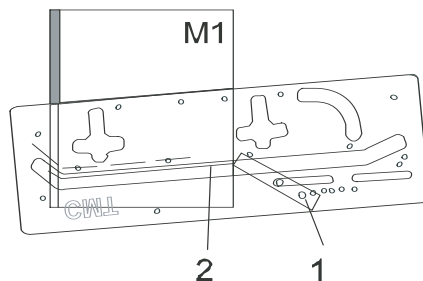


Figura B

Realización de una junta a 45°

Para realizar una junta a 45° sobre una encimera, use la parte curva de 22.5 mm del CMT650.

Igual que para las juntas a 90°, para las de 45° la encimera debe ser cortada con el justo lado hacia arriba, dependiendo que la encimera deba estar a la derecha o a la izquierda o sea macho o hembra.

La primera cosa que se debe hacer es decidir y cortar el ángulo a 45° (si es posible deje un desperdicio para poder luego fresar de nuevo si la junta fuera incorrecta). Cuando corte la longitud de la encimera use una sierra para eliminar la mayor parte del material excedente hasta 3 mm de la línea de corte establecida, luego acabe el borde con una fresadora contra el borde de la plantilla o un borde recto. De este modo obtendrá un borde recto contra el cual alinear los stop.

Corte de la junta hembra (Ver fig. C)

Introduzca dos pernos de centrado en los orificios C y uno en el orificio G. Posicione la plantilla sobre la encimera con el perno de tope G contra el borde anterior y los pernos de tope C contra el borde cortado en ángulo. Corte con la fresadora siguiendo el mismo procedimiento explicado para la junta a 90°.

Corte de la junta macho (Ver Fig. D).

Introduzca los pernos de tope en los orificios A, manténgalos presionados firmemente contra el borde anterior de la encimera y fije bien la plantilla con las abrazaderas. Corte con la fresadora siguiendo el mismo procedimiento explicado para la junta a 90°.

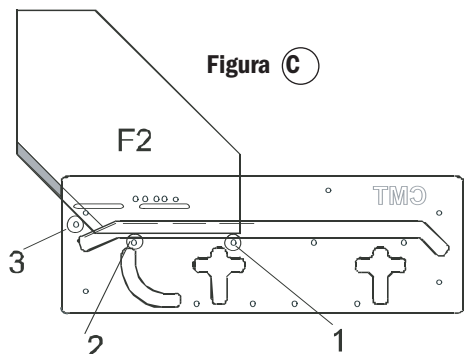


Figura C

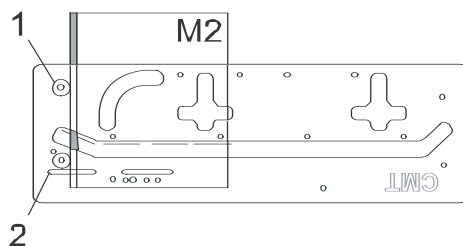
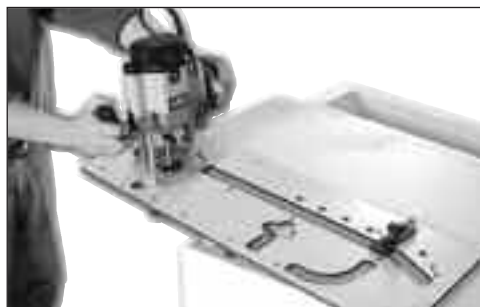


Figura D

Realización de los asientos



Para realizar los asientos para los tirantes introduzca dos pernos de tope en los orificios D. Su posicionamiento debe distar por lo menos 100 mm del borde anterior de la encimera. La distancia entre los dos asientos puede ser la misma predefinida por la plantilla o variarla para que se adapte al ancho de la encimera. Recuerde de hacerla coincidir en ambas secciones de la junta, partiendo del borde anterior ejecutando una medición o utilizando un listón.

Haga adherir firmemente los pernos de tope al borde de la junta y fíjelos con las abrazaderas. Frese los asientos para que el bulón de la abrazadera esté en el centro de la profundidad de la encimera. Para esta operación utilice siempre la misma fresa de 12 mm y el mismo anillo de guía de 30 mm, frese siempre ejecutando varios pasajes eliminando todos los recortes de los asientos.

Durante el ensamblado de la unión le aconsejamos de introducir galletas (medida 20) para ayudarle a alinear las superficies de la encimera y evitar movimientos entre las encimeras. Los asientos para los galletas pueden fresarse con la fresadora o con una fresa para las juntas de galleta entre los asientos, para las abrazaderas introduzca por lo menos 4 galletas en una encimera de 600 mm de largo.

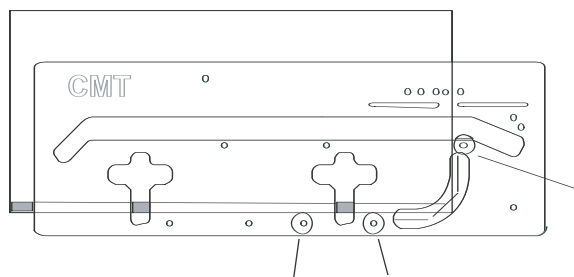
Para cortar un asiento para un galleta con la fresadora, utilice un mandril portafresas, el código 822.340.11, una fresa de disco de 4mm de espesor y 47.6 mm de largo y un cojinete de guía de 22 mm para obtener un asiento de 12.8 mm (el galleta medida 20 tiene aproximadamente 24 mm de largo). Fresa para juntas de galleta, mandril portafresas, y cojinete código 922.340.11B (mango 12mm) 822.340.11B (mango 12,7mm) o 922.340.11A (mango 8mm) 822.340.11A (mango 6,35mm).

El punto de unión de los lados cortados de la junta debe sellarse para evitar que penetre el agua en el interior. Para ello puede utilizar un adhesivo impermeable o un sellante adhesivo para encimeras de color. Este último viene en una gama de colores que pueden mezclarse entre sí para adaptarse al color del acabado de vuestra encimera. Si trabaja con encimeras económicas podría ocurrir que el tablero de virutas se divida o se astille durante el corte. Deberá lijarlo levemente antes del ensamblaje. Tenga cuidado de no lijar el revestimiento.

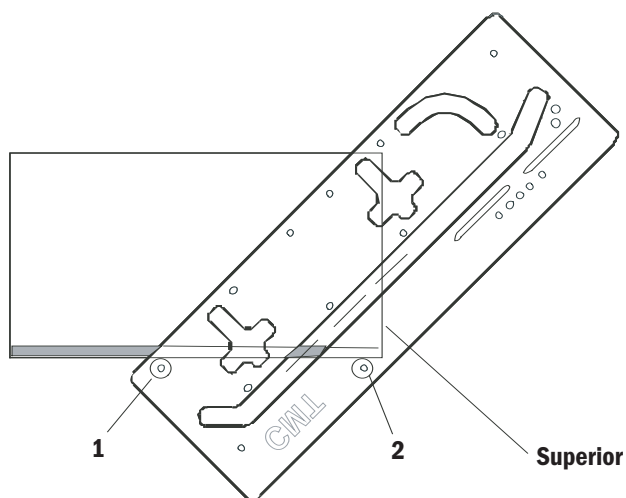
Otros empleos del CMT650

Ángulos a 45° y partes radiadas

Para ejecutar una parte radiada sobre una encimera o una península, introduzca tres pernos de tope en los orificios E y ejecute el corte con la fresadora efectuando varios pasajes como ha sido descrito anteriormente.



Para ejecutar un ángulo a 45° en las partes de una encimera o de una península introduzca dos stop en los orificios F y ejecute el corte con la fresadora efectuando varios pasajes como se describió anteriormente.



Index	30
Contenu de la boîte	31
Outils nécessaires	32
Normes de sécurité	33-34
Système de jonction pour les plans de cuisine CMT650	35
Instructions pour la réalisation des jonctions	36
Réalisation d'une jonction à 90 degrés	37-38-39
Réalisation des jonctions en angle droit	40
Réalisation de jonctions à 45 degrés	41-42
Réalisation des emplacements pour les tirants du plan	41
Assemblage du plan de cuisine	42
Autres utilisations du CMT650	42-43

ATTENTION!!

Les symboles utilisés dans ce Manuel vous conseillent les protections à utiliser durant le travail.

Symboles des protections



Code: CMT650 Système de jonction pour les plans de cuisine

Nr. 1 A Gabarit pour les plans de cuisine en phénolique

Nr. 3 B Goujon de butée en métal galvanisé

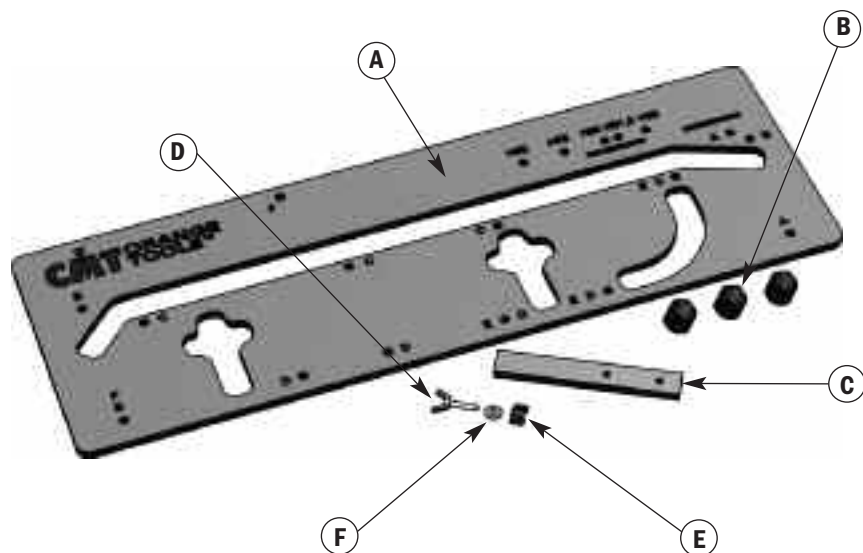
Nr. 1 C Goujon de butée coulissant en phénolique

Nr. 1 D Ecrou avec rondelle de serrage en plastique

Nr. 1 E Boulon M8

Nr. 1 F Rondelle M8

Nr. 1 Manuel d'instructions



- A** Fraiseuse électrique portable avec des pinces de 12 ou 12,7mm
- B** Ogive de guidage Ø30mm (code 899.007.00)
- C** Clés et vis pour fixation de l'ogive de guidage
- D** Deux étaux (version longue avec revêtement souple ou coussinet de protection du gabarit représentent la meilleure solution)
- E** Fraise Ø12mm x 50mm (40mm pour plans plus fins)
- F** Casque, lunettes ou visière



Procédures correctes d'usinage pour votre sécurité!

Les suggestions ci-après vous permettront de respecter les procédures d'usinage correctes et de vous assurer ainsi qu'à vos collaborateurs une sécurité totale, et de conserver les outils et les équipements en bon état pour une prochaine utilisation.



ATTENTION!!

Tenir les outils et les équipements hors de portée des enfants

Normes de sécurité

1. Assurez-vous de bien savoir utiliser la fraiseuse électrique avant d'utiliser le système de jonction pour cuisine CMT650.
2. Suivez toujours les instructions fournies par le fabricant de la fraiseuse électrique et les procédures de sécurité.
3. Si vous utilisez un système de jonction pour plans de cuisine pour la première fois, effectuez une série de coupes d'essai sur des rebuts pour apprendre les procédures, la séquence des passages et les caractéristiques des types de fraisage, tant des matériaux, que la fraiseuse électrique et que du calibre.
4. Portez toujours un casque et des lunettes de protection durant le travail.
5. Portez toujours un demi-masque pour la poussière ou un respirateur et, si possible, utilisez des appareils pour ramasser la poussière.
6. Évitez de porter des vêtements larges et attachez vos cheveux.
7. Enlevez toujours les clefs ou les pinces de la fraiseuse électrique et ne les laissez pas sur le plan de travail ou sur le masque durant le travail.
8. Éteignez toujours la fraiseuse électrique et attendez toujours qu'elle ait cessé de tourner avant de la soulever.
9. Fixez toujours le plan à une surface rigide et sûre durant le fraisage.
10. Si possible coupez toujours les jonctions avant de couper la longueur définitive.

Fraises et Pinces

Quand on réalise des plans de cuisine, la nature abrasive de l'aggloméré et son revêtement usent rapidement le tranchant de toute fraise, y compris celles comportant des pièces rapportées en carbure de tungstène. Avec la même fraise vous pourrez difficilement réaliser plus de trois plans de cuisine sans ébréchures. Assurez-vous que les fraises sont toujours propres et affilées (à la main ou avec une pierre diamantée).



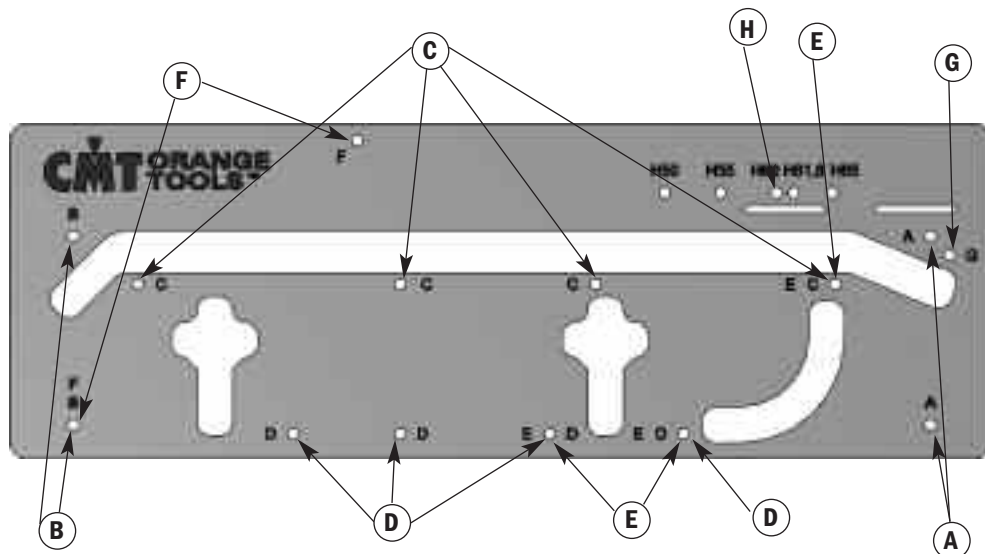
*Assurez-vous que la fraise est correctement fixée à la pince de la fraiseuse électrique
(cf. le Manuel d'instructions de la fraiseuse électrique)*



*Contrôlez toujours que la bague de guidage est toujours centrée par rapport à la fraise,
utilisez un goujon pour le centrage.*

Pour obtenir un positionnement correct sur le top, le système de jonction pour cuisine CMT650 est doté de trois goujons de butée en métal zingué qui, positionnés dans des trous déterminés, permettent les différents usinages. Chaque goujon de butée a deux bagues en néoprène pour pouvoir être fixé encore plus solidement au système de jonctions pour cuisine CMT650. Si le goujon de butée se fixe avec difficulté, appliquez un peu d'huile ou de savon sur les bagues.

Assurez-vous que le goujon de butée est bien fixé dans les trous et qu'il sorte de la partie inférieure du système de jonction pour cuisine CMT650.

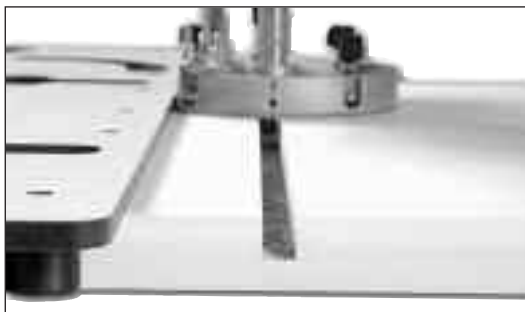


Les trous pour les goujons de butée en métal sont indiqués par des lettres correspondantes à chaque usinage spécifique:

- A.** 2 trous - partie externe de la jonction à 45°
- B.** 2 trous - partie externe de la jonction à 90°
- C.** 4 trous - partie interne des jonctions à 90° et 45°
- D.** 4 trous - trous de fixation des tirants
- E.** 3 trous - finitions rayonnées des angles (r8,2)
- F.** 2 trous - finitions des angles à 45°
- G.** 1 trou - partie interne de la jonction à 45°
- H.** 1 trou - partie interne de la jonction à 90°
- H.** 1 trou - (seulement plans de 500, 550, 600, 616, 650mm)

REMARQUES: le système de jonction doit être utilisé avec une bague de guidage de 30mm et une fraise de $\varnothing 12$ mm.

Assurez-vous toujours de fraiser le côté correct et vers le chant arrondi du plan. Durant l'usinage, l'outil qui tourne dans le sens des aiguilles d'une montre fraisera précisément la partie gauche de la coupe, mais ébrêchera la surface de la partie droite, vous devez donc toujours laisser l'écart à droite.

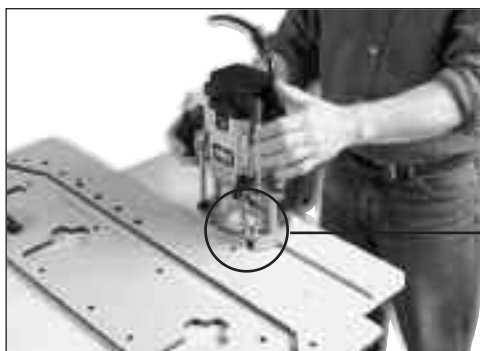


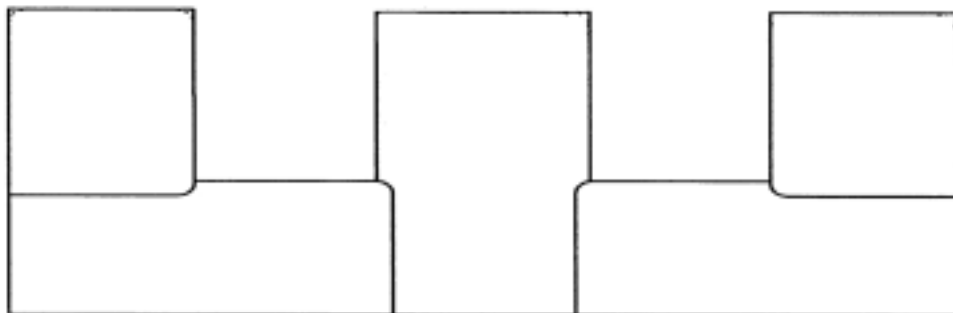
Quand vous coupez les plans utilisez une lame pour éliminer la partie en excès en laissant un écart de 3mm et finissez ensuite le chant coupé avec la fraiseuse électrique en la laissant glisser le long du chant CMT650. De cette façon vous obtiendrez un chant carré sur lequel aligner les goujons de butée du système de jonction pour cuisine CMT650.

N'oubliez pas de fraiser à l'intérieur du chant arrondi et jamais en dehors.

Quand vous utilisez des étaux n'oubliez pas de disposer du matériau souple entre l'étau et le côté revêtu du plan.

Si possible, laissez toujours le plan un peu plus long de façon à pouvoir apporter des modifications à la jonction au cas où le premier coupage résulterait erroné.

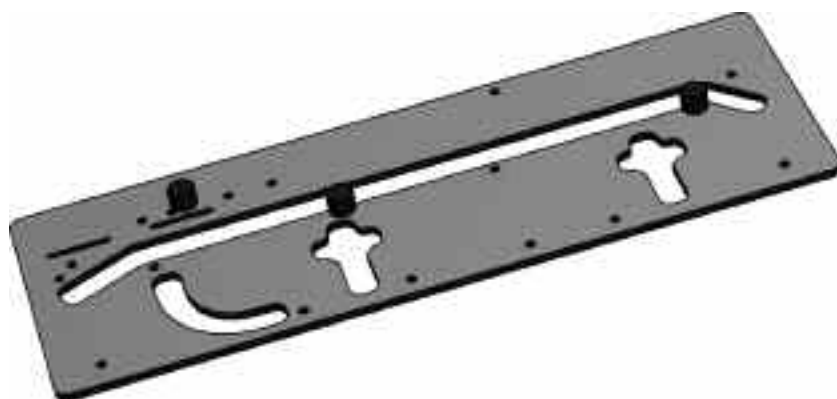


**ATTENTION!!**

Quand vous exécutez une jonction à 90° vers la droite laissez la partie revêtue vers le haut. Pour la jonction mâle correspondante renversez le plan.

Quand vous exécutez une jonction à 90° vers la gauche conservez la partie revêtue vers le bas. Pour la jonction mâle correspondante renversez le plan.

Positionnez en premier le calibre de façon à l'adapter à la largeur du top. S'il s'agit du plan standard de 600mm utilisez les trous H. S'il existe des différences dans la largeur du top ou s'il est plus long ou plus étroit que 600mm utiliser le goujon de butée coulissant.



Utilisation du stop coulissant

Après avoir placé le goujon de butée coulissant fixez-le à partir de la partie inférieure du système de jonction pour cuisine CMT650 avec le boulon M8 qui est fourni, en l'assurant avec l'écrou de serrage D et la rondelle F à travers les trous évasés. Insérez deux goujons de butée dans les trous B, pressez-les contre la partie supérieure du plan, en contrôlant que le système de jonction pour cuisine CMT650 est perpendiculaire au plan. Réglez le goujon de butée coulissant jusqu'au chant postérieur et fixez l'étau fourni.



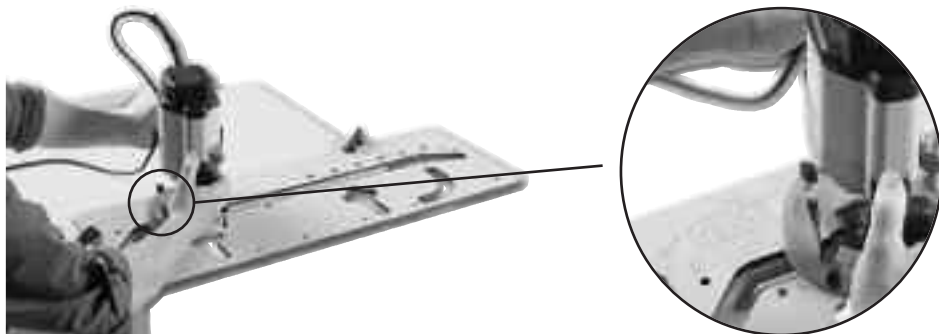
Coupage de la jonction femelle

Positionnez le stop dans le trou C (voir page 35). Un goujon de butée pressera contre l'extrémité du plan et deux goujons, le long de la partie. Positionnez le goujon de butée devant dans deux des quatre trous, la largeur du plan en déterminera la distance. Assurez-vous que tous les goujons de butée adhèrent bien aux chants du plan avant de fixer le calibre au top avec les étaux. Faites en sorte que ces derniers ne gênent pas les mouvements de la fraiseuse électrique.

Coupage

Effectuez le coupage dans une série de petits passages, plus fin est le coupage, plus la pression exercée par la fraiseuse électrique

sera légère, et cette dernière sera donc plus facile à contrôler. Maintenir une vitesse constante et assurez-vous que la fraiseuse électrique demeure perpendiculaire au calibre et reste toujours en contact avec elle. Fraisez toujours de gauche à droite, en maintenant la bague de guidage contre le chant. Poussez enfin plus fortement la fraiseuse électrique vers le chant coupé et effectuez le passage final sur toute la profondeur.

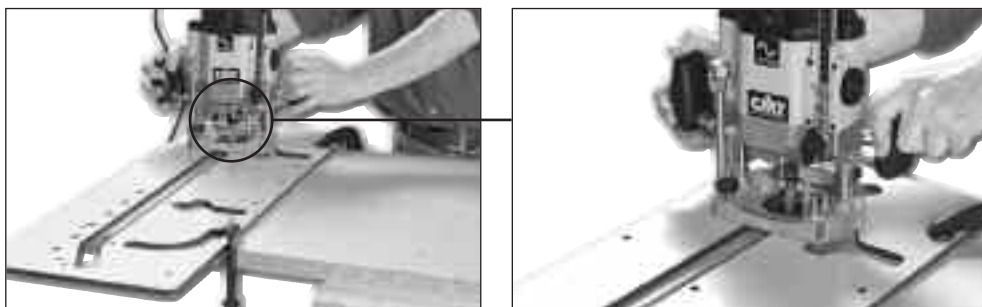


Coupage de la jonction mâle

En premier lieu faire pivoter le plan et contrôlez qu'il est dans la bonne position. Quand vous coupez le mâle, laissez le goujon de butée coulissant ou le goujon de butée H où il se trouve et insérez deux goujons de butée dans les trous B.

Positionnez et fixez le système de jonction pour cuisine CMT650 à l'extrémité du plan, en vous assurant qu'il est perpendiculaire au chant situé devant et que les goujons de butée adhèrent bien à l'extrémité. Soutenez la partie d'écart du plan en utilisant un étau ou avec un autre plan de travail, de façon à éviter qu'il puisse endommager le laminé en tombant.

Fraisez cette pièce exactement comme vous l'avez fait pour la femelle.

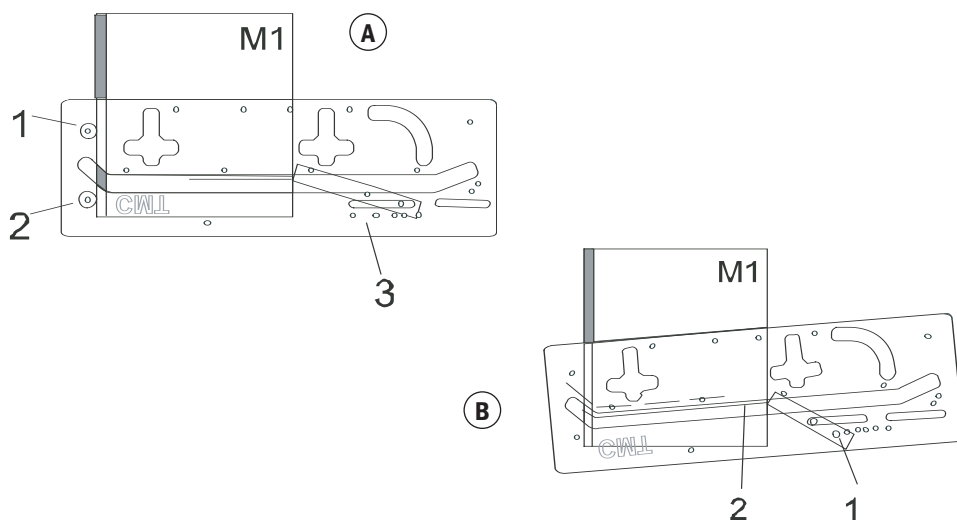


Compensation pour chants hors équerre

Avec le CMT650 vous pouvez effectuer de petites corrections jusqu'à un max. d'environ $+3^\circ$. Ces jonctions, naturellement, ne seront jamais précises comme celles à 90° . La compensation sera toujours exécutée sur la jonction mâle. Si possible positionnez le mâle sur la femelle, si vous n'avez pas assez d'espace pour le faire, utilisez un calibre conique ou une autre méthode pour calculer l'angle et le reproduire sur le plan. Faites attention à la partie que vous devez fraiser et ensuite positionnez le top. Marquez sur le dos du mâle le chant interne de la femelle, cette ligne marquera la ligne de coupage de l'angle du mâle. Tourner le mâle et marquez correctement la ligne.

Figure A: Insérez deux goujons de butée dans les trous B et, en utilisant le goujon de butée coulissant, positionnez le système de jonction pour cuisine CMT650 sur le top avec les deux goujons de butée contre le chant antérieur de façon qu'ils soient perpendiculaires. Contrôlez que les goujons de butée adhèrent au chant antérieur et fixez le système de jonction pour cuisine CMT650 avec des étaux au top. Positionnez la partie pointue du goujon de butée coulissant contre la fin de cette ligne et fixez les étaux.

Figure B: enlevez les deux goujons de butée antérieurs. Positionnez le système de jonction pour cuisine CMT650 sur la ligne de coupage avec la pointe du goujon de butée coulissant sur la partie finale de la ligne de coupage de l'angle. Tourner le système de jonction pour cuisine CMT650 en pivotant sur ce point jusqu'à ce que le chant du guide soit parallèle à la ligne de coupage en angle. Fixez solidement le système de jonction pour cuisine CMT650 au top et coupez la jonction mâle en suivant la même procédure exposée ci-dessus.



Réalisation d'une jonction à 45°

Pour réaliser une jonction à 45° sur un top, utilisez la partie courbée de 22.5 mm du CMT650. Comme pour les jonctions à 90°, pour celles à 45° le top doit être coupé avec le bon côté vers le haut, selon que le plan doit rester à droite ou à gauche ou qu'il soit mâle ou femelle.

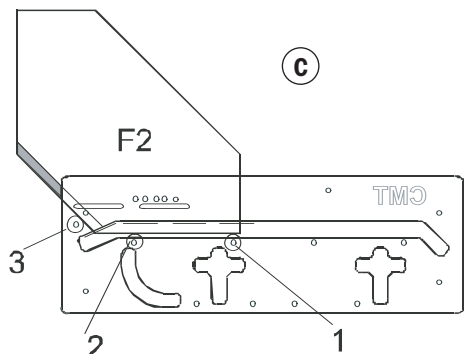
La première chose à faire est de décider et de couper l'angle à 45° (si possible laisser un écart pour pouvoir fraiser ensuite de nouveau si la jonction n'est pas correcte). Quand vous coupez la longueur du top utilisez une scie pour éliminer une grande partie du matériau en excès jusqu'à 3 mm de la ligne de coupage fixée, puis finir le chant avec une fraiseuse électrique avec le chant du calibre ou un chant de toute façon droit. De cette façon vous obtiendrez un chant droit contre lequel aligner les stops.

Coupage de la jonction femelle (Voir fig. C)

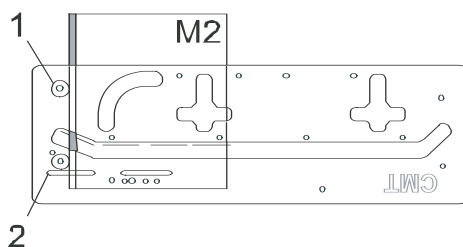
Insérez deux goujons de centrage dans les trous C et un goujon dans le trou G. Positionnez le système de jonction pour cuisine CMT650 sur le top avec le stop G contre le chant antérieur et les goujons de butée C contre le chant coupé en angle. Coupez avec la fraiseuse électrique en suivant la même procédure que la jonction en 90°.

Coupage de la jonction mâle (Voir fig.D)

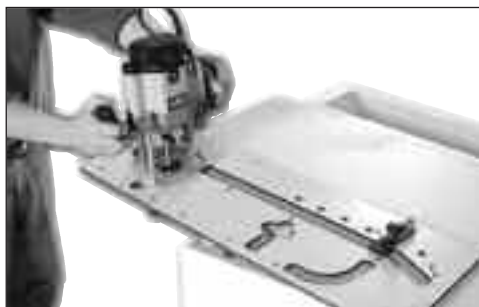
Insérez les goujons de butée dans les trous A, tenez-les pressés contre le chant antérieur du top et fixez correctement le système de jonction pour cuisine CMT650 avec les étaux. Coupez la fraiseuse électrique en suivant la même procédure de la jonction à 90°.



(D)



Réalisation des emplacements



Pour réaliser les emplacements pour les tirants insérez deux goujons de butée dans les trous D. Leur positionnement doit être situé au moins à 100 mm du chant antérieur du top. La distance entre les deux emplacements peut être la même que celle préétablie par le système de jonction pour cuisine CMT650 ou elle peut varier pour s'adapter à la largeur du top. Ne pas oublier de les faire correspondre sur les deux sections de la jonction, en partant du chant antérieur au moyen du mesurage ou en utilisant une baguette.

Faire bien adhérer les goujons de butée au chant de la jonction et les fixer avec des étaux. Fraisez les emplacements de façon que le boulon de l'étau soit au centre de la profondeur du top. Pour cette opération utilisez toujours la même fraise 12mm et la même bague de guidage de 30mm, fraisez toujours en plusieurs passages en éliminant tous les résidus des emplacements.

Durant l'assemblage de la jonction nous conseillons d'insérer des biscuits (mesure 20) pour vous aider à aligner les surfaces des tops et à éviter des mouvements entre les plans. Les emplacements pour les biscuits peuvent être fraisés avec la fraiseuse électrique ou avec une fraise pour les jonctions en biscuit. Entre les emplacements pour les étaux insérés non moins de 4 biscuits dans un plan de 600 mm de longueur.

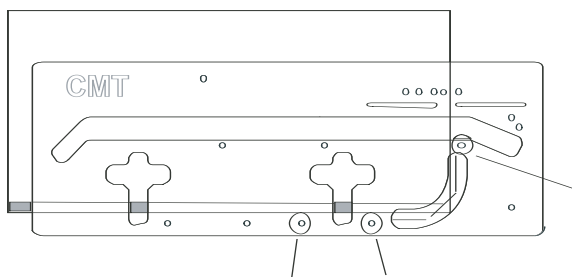
Pour couper un emplacement pour un biscuit avec la fraiseuse électrique, utilisez un arbre, le code 822.340.11, une fraise à disque de 4mm épaisseur et de 47.6mm de longueur et un palier de guidage de 22mm pour obtenir un emplacement de 12.8mm (le biscuit mesure 20 et a environ 24mm de largeur). Fraise pour jonctions en biscuit, arbre, et palier code 922.340.11B (fixation 12mm) 822.340.11B (fixation 12,7mm) ou 922.340.11A (fixation 8mm) 822.340.11A (fixation 6,35mm).

Le point de jonction des deux côtés coupés de la jonction doit être scellée pour éviter que l'eau pénètre à l'intérieur. Pour cela vous pouvez utiliser un adhésif résistant à l'eau ou mieux un mastic adhésif pour top coloré. Ce dernier peut être acheté dans une gamme de couleurs qui peuvent être mélangées pour s'adapter à la couleur de la finition de votre top. Si vous travaillez avec des tops économiques, l'aggloméré pourrait s'exfolier ou s'ébrécher durant le coupage. Vous devrez donc le passer légèrement au papier de verre avant l'assemblage. Faites très attention à ne pas passer même le revêtement au papier de verre.

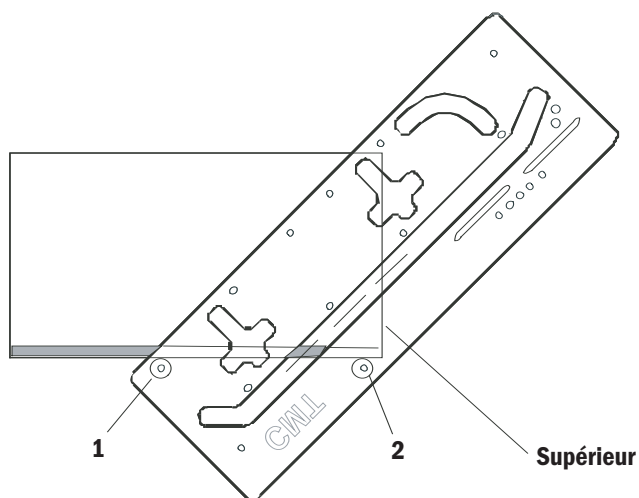
Autres utilisations du CMT650

Angles à 45° et parties rayonnées

Pour effectuer une partie rayonnée sur un top ou une table d'ajout, insérez trois goujons de butée dans les trous E et coupez avec la fraiseuse électrique dans plusieurs passages comme décrit ci-dessus.



Pour effectuer un angle à 45° sur les parties d'un top ou sur une table d'ajout, insérez deux stops dans les trous F et effectuez le coupage avec la fraiseuse électrique dans plusieurs passages, comme décrit ci-dessus.



Indice	44
Contenuto della scatola	45
Utensili necessari	46
Norme di sicurezza	47-48
Sistema di giunzione per piani da cucina CMT650	49
Istruzioni per la realizzazione di giunzioni	50
Realizzazione di una giunzione a 90 gradi	51-52-53
Realizzazione di giunzioni ad angolo retto	54
Realizzazione di giunzioni a 45 gradi	54-55
Realizzazione delle sedi per i tiranti del piano	55
Assemblaggio del piano da cucina	56
Altre impieghi del CMT650	56-57

ATTENZIONE!!

I simboli utilizzati in questo manuale vi consigliano le corrette protezioni da utilizzare durante il lavoro.

Simboli delle protezioni





Codice: CMT650 Sistema di giunzione per piani da cucina

Nr. 1 A Dima per piani da cucina in fenolico

Nr. 3 B Perno di battuta in metallo zincato

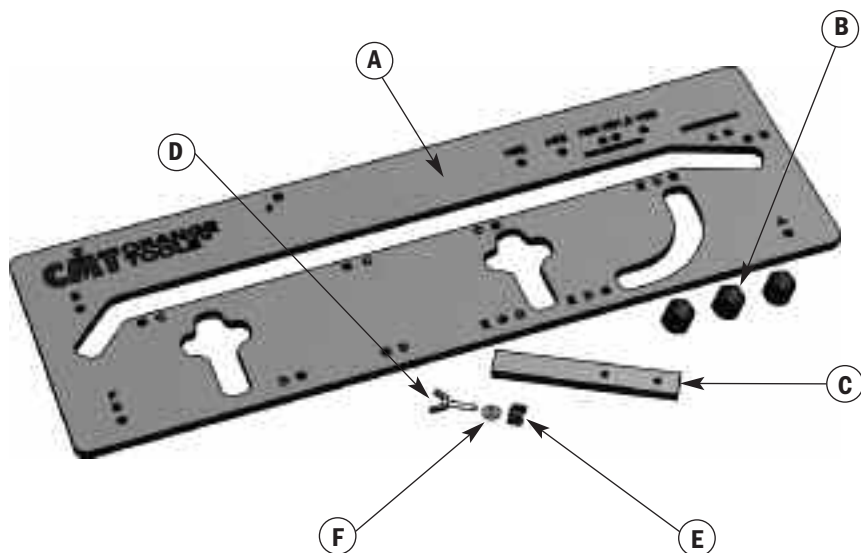
Nr. 1 C Perno di battuta scorrevole in fenolico

Nr. 1 D Dado con rosetta di serraggio in plastica

Nr. 1 E Bullone M8

Nr. 1 F Rondella M8

Nr. 1 Manuale di istruzioni



- A** Elettrofresatrice portatile con pinze da 12 o 12,7mm
- B** Boccola di guida Ø30mm (codice 899.007.00)
- C** Chiavi e viti per fissaggio boccola di guida
- D** Due morsetti (versione lunga con rivestimento morbido o cuscinetto a protezione della dima sono la miglior soluzione)
- E** Fresa Ø12mm x 50mm (40mm per piani più sottili)
- F** Cuffie, occhiali o visiera



Corrette procedure di lavorazione per la vostra sicurezza!

I suggerimenti qui di seguito Vi permetteranno di rispettare le corrette procedure di lavorazione e assicurare a Voi e ai Vostri collaboratori una sicurezza totale, così come di conservare i utensili ed attrezzature in buono stato per il prossimo impiego.

**ATTENZIONE!!**

Tenere gli utensili ed attrezzature lontano dalla portata dei bambini

Norme di sicurezza

1. Assicuratevi di sapere usare bene l'elettrofresatrice prima di usare il sistema di giunzione per cucina CMT650.
2. Seguite sempre le istruzioni fornite dal costruttore dell'elettrofresatrice e le procedure di sicurezza.
3. Se è la prima volta che utilizzate un sistema di giunzione per piani da cucina, eseguite una serie di tagli di prova su pezzi di scarto per acquisire maggior confidenza con le procedure, la sequenza dei passaggi e le caratteristiche dei tipi di fresatura, sia dei materiali, sia dell'elettrofresatrice che della dima.
4. Indossate sempre cuffie e occhiali protettivi durante il lavoro.
5. Indossate sempre una mascherina per la polvere o un respiratore e, se possibile, usate apparecchiature per aspirare la polvere.
6. Evitate di indossare abiti larghi e tenete i capelli raccolti.
7. Rimuovete sempre chiavi o pinze dall'elettrofresatrice e non lasciatele sul piano di lavoro o sulla maschera durante il lavoro.
8. Spegnete sempre l'elettrofresatrice e aspettate che abbia smesso di girare prima di sollevarla.
9. Fissate sempre il piano a una superficie rigida e sicura durante la fresatura.
10. Se possibile tagliate sempre le giunzioni prima di tagliare la lunghezza definitiva.

Frese e Pinze

Quando si realizzano piani da cucina la natura abrasiva del truciolare ed il suo rivestimento usurano rapidamente il tagliente di ogni fresa, incluse quelle con riporti in carburo di tungsteno. Difficilmente con la stessa fresa realizzerete interamente più di tre piani da cucina senza scheggiature. AssicurateVi che le frese siano sempre pulite e affilate (a mano o con una pietra diamantata).



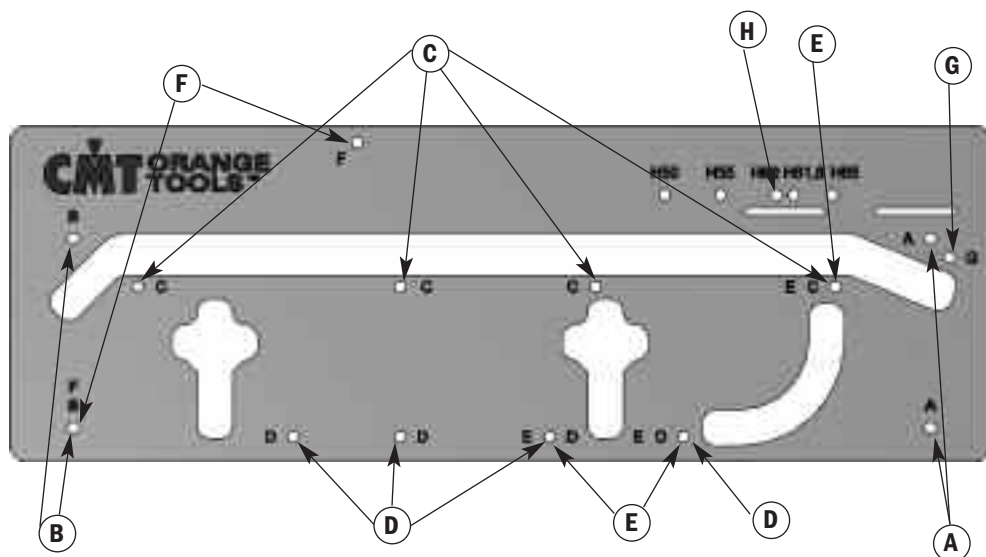
AssicurateVi che la fresa sia fissata correttamente alla pinza dell'elettrofresatrice
(cfr. il manuale di istruzioni dell'elettrofresatrice)



Controllate sempre che l'anello di guida sia centrato rispetto alla fresa,
usate un perno per il centraggio.

Al fine di ottenere un corretto posizionamento sul top, il sistema di giunzione per cucina CMT650 è dotato di tre perni di battuta in metallo zincato che, posizionati nei predeterminati fori, permettono le diverse lavorazioni. Ogni perno di battuta ha due anelli in neoprene per essere fissato ancora più saldamente al sistema di giunzione per cucina CMT650. Se il perno di battuta si fissa con difficoltà applicate un pò di olio o sapone sugli anelli.

AssicurateVi che il perno di battuta sia ben fissato nei fori e che fuoriescano dalla parte inferiore del sistema di giunzione per cucina CMT650.

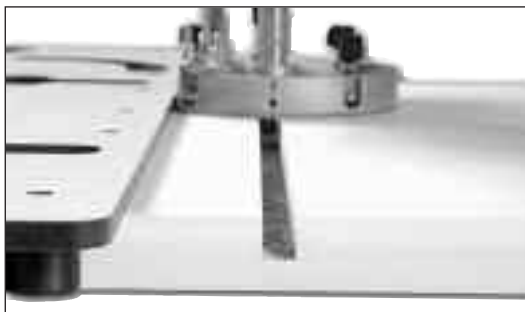


I fori per i perni di battuta in metallo sono indicati da lettere corrispondenti ad ogni specifica lavorazione:

- A.** 2 fori - parte esterna della giunzione a 45°
- B.** 2 fori - parte esterna della giunzione a 90°
- C.** 4 fori - parte interna delle giunzioni a 90° e 45°
- D.** 4 fori - fori di fissaggio dei tiranti
- E.** 3 fori - finiture raggiate degli angoli (r8,2)
- F.** 2 fori - rifiniture degli angoli a 45°
- G.** 1 foro - parte interna della giunzione a 45°
- H.** 1 foro - parte interna della giunzione a 90°
(solo piani da 500, 550, 600, 616, 650mm)

NOTE: il sistema di giunzione deve essere utilizzato con una boccia di guida da 30mm e una fresa Ø12mm.

AssicurateVi sempre di fresare il lato corretto e verso il bordo arrotondato del piano. Durante la lavorazione l'utensile che ruota in senso orario frenerà in modo preciso la parte sinistra del taglio, ma scheggerà la superficie della parte destra, quindi dovete sempre lasciare lo scarto a destra.

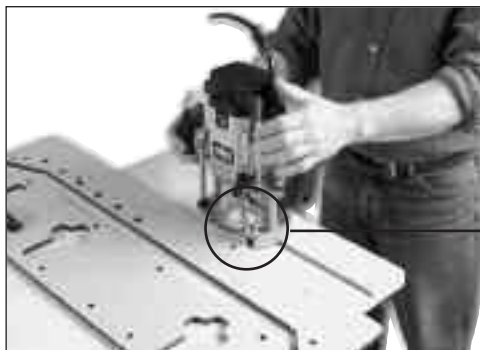


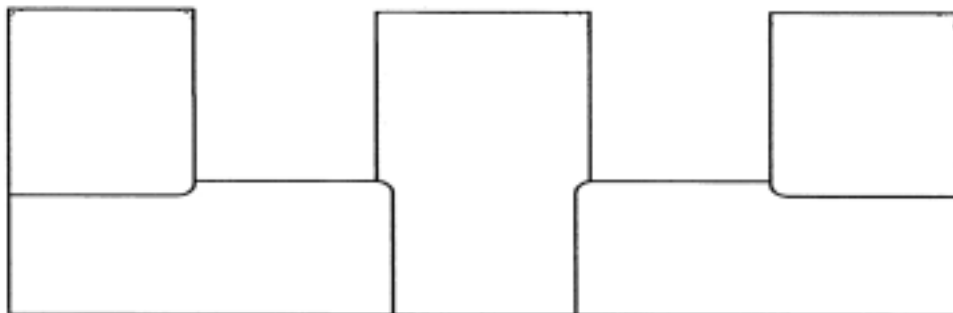
Quando tagliate i piani usate una lama per eliminare la parte in eccesso lasciando uno scarto di 3mm e poi rifinite il bordo tagliato con l'elettrofresatrice facendola scorrere lungo il bordo del CMT650. Otterrete in questo modo un bordo squadrato su cui allineare i perni di battuta del sistema di giunzione per cucina CMT650.

RicordateVi di fresare all'interno del bordo arrotondato e mai fuori.

Quando usate dei morsetti ricordateVi di apporre del materiale morbido tra il morsetto e il lato rivestito del piano.

Se possibile, lasciate il piano sempre un po' più lungo in modo tale da poter apportare delle modifiche alla giunzione qualora il primo taglio risultasse sbagliato.

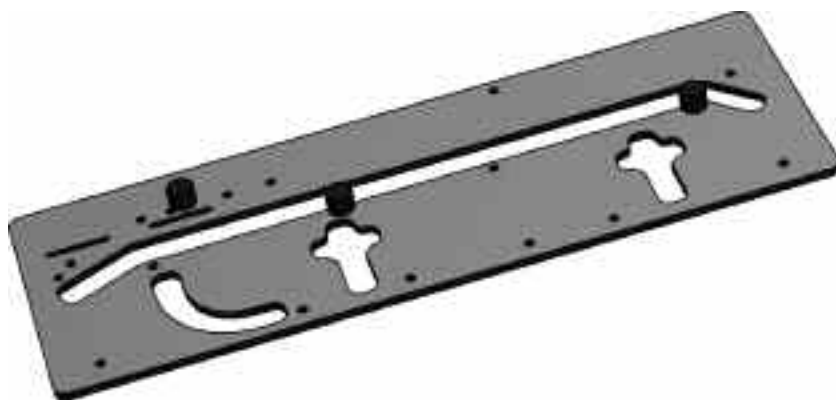


**ATTENZIONE!!**

Quando eseguite una giunzione a 90° verso destra lasciate la parte rivestita verso l'alto. Per la giunzione maschio corrispondente rovesciate il piano.

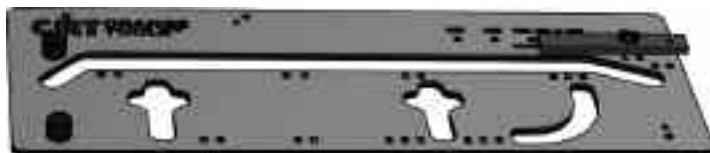
Quando eseguite una giunzione a 90° verso sinistra mantenete la parte rivestita verso il basso. Per la giunzione maschio corrispondente rovesciate il piano.

Per prima cosa posizionate la dima in modo da adattarla alla larghezza del top. Se si tratta di piano standard da 600mm usate i fori **H**. Se ci sono differenze nella larghezza del top o se fosse più largo o più stretto di 600mm utilizzare il perno di battuta scorrevole.



Utilizzo dello stop scorrevole

Una volta posizionato il perno di battuta scorrevole fissatelo dalla parte inferiore del sistema di giunzione per cucina CMT650 con il bullone M8 in dotazione, assicurandolo con il dado di serraggio **D** e la rondella **F** attraverso i fori svasati. Inserite due perni di battuta nei fori **B**, premeteli contro la parte superiore del piano, controllando che il sistema di giunzione per cucina CMT650 sia perpendicolare al piano. Regolate il perno di battuta scorrevole fino al bordo posteriore e fissate il morsetto in dotazione.

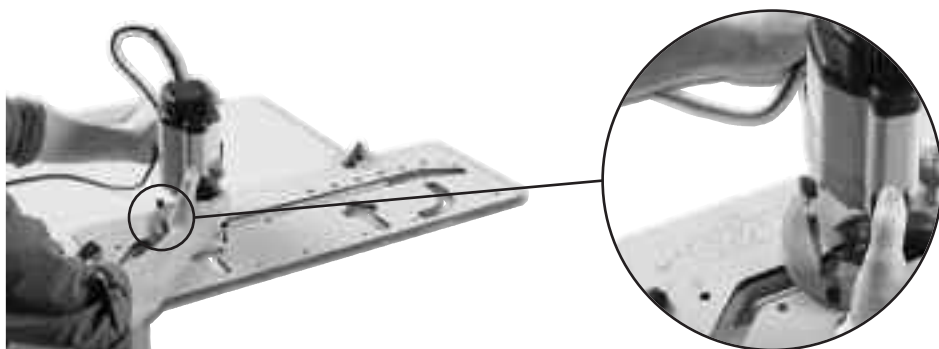


Taglio della giunzione femmina

Posizionate lo stop nel foro **C** (vedi pagina 49). Un perno di battuta premerà contro l'estremità del piano e due lungo la parte frontale. Posizionate il perno di battuta davanti in due dei quattro fori, la larghezza del piano ne determinerà la distanza. Assicuratevi che tutti i perni di battuta siano ben aderenti ai bordi del piano prima di fissare la dima al top con i morsetti. Fate in modo che questi non intralcino i movimenti dell'elettrofresatrice.

Taglio

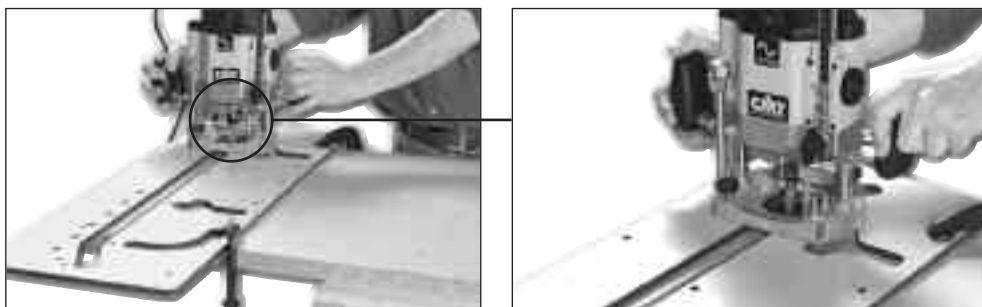
Eseguite il taglio in una serie di piccoli passaggi, più sottile è il taglio minore sarà la pressione esercitata sull'elettrofresatrice che diventerà quindi più agevole da controllare. Mantenete una velocità costante e assicuratevi che l'elettrofresatrice rimanga perpendicolare alla dima e sempre a contatto con la stessa. Fresate sempre da sinistra verso destra, mantenendo la boccola di guida attaccata al bordo. Infine spingete l'elettrofresatrice con più forza verso il bordo tagliato ed eseguite il passaggio finale su tutta la profondità.



Taglio della giunzione maschio

Per prima cosa ruotate il piano e controllate che sia nella giusta posizione. Quando tagliate il maschio, lasciate il perno di battuta scorrevole o il perno di battuta **H** dove si trova e inserite due perni di battuta nei fori **B**.

Posizionate e fissate il sistema di giunzione per cucina CMT650 all'estremità del piano, assicurandovi che sia perpendicolare al bordo davanti e che i perni di battuta siano ben aderenti all'estremità. Sostenete la parte di scarto del piano usando un morsetto o con un altro piano di lavoro in modo da evitare che, cadendo, rovini il laminato. Fresate questo pezzo esattamente come avete fatto per la femmina.



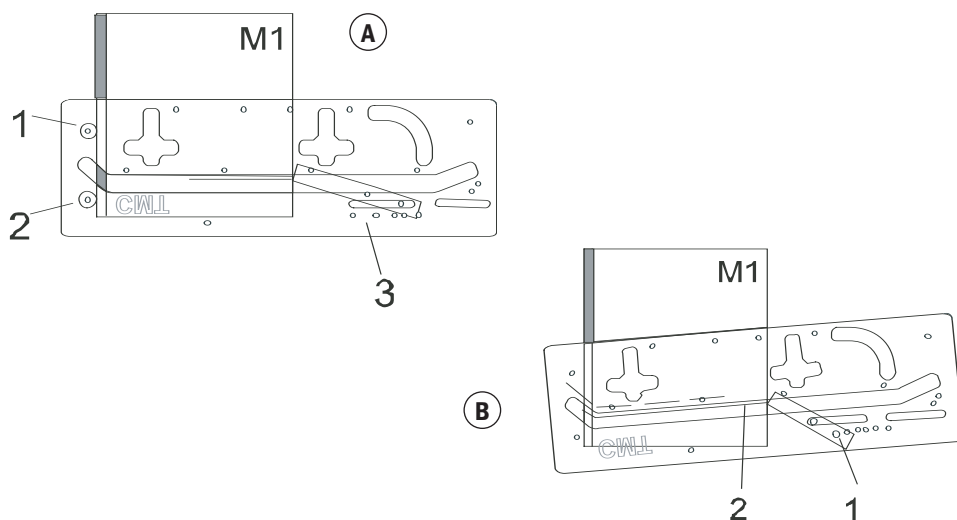
Compensazione per bordi fuori squadra

Con il CMT650 potete effettuare piccoli aggiustamenti fino a massimo di circa +3°. Queste giunzioni, naturalmente, non saranno mai precise quanto quelle a 90°. La compensazione sarà sempre eseguita sulla giunzione maschio.

Se possibile posizionate il maschio sulla femmina, se non avete abbastanza spazio per farlo, usate un calibro conico o un altro metodo per calcolare l'angolo e riprodurlo sul piano. Fate attenzione a quale parte dovete fresare e posizionate il top di conseguenza. Segnate sul retro del maschio il bordo interno della femmina, questa linea segnerà la linea di taglio dell'angolo del maschio. Girate il maschio e marcate bene la linea.

Figura A: Inserite due perni di battuta nei fori **B** e, utilizzando il perno di battuta scorrevole, posizionate il sistema di giunzione per cucina CMT650 sul top con i due perni di battuta contro il bordo anteriore in modo tale che siano perpendicolari. Controllate che i perni di battuta siano ben aderenti al bordo anteriore e fissate il sistema di giunzione per cucina CMT650 con dei morsetti al top. Posizionate la parte appuntita del perno di battuta scorrevole contro la fine di questa linea e fissate i morsetti.

Figura B: Rimuovete i due perni di battuta anteriori. Posizionate il sistema di giunzione per cucina CMT650 sulla linea di taglio con la punta del perno di battuta scorrevole sulla parte finale della linea di taglio dell'angolo. Girate il sistema di giunzione per cucina CMT650 facendo perno su questo punto fino a quando il bordo della guida sarà parallelo alla linea di taglio ad angolo. Fissate saldamente il sistema di giunzione per cucina CMT650 al top e tagliate la giunzione maschio seguendo la stessa procedura illustrata in precedenza.



Realizzazione di una giunzione a 45°

Per realizzare una giunzione a 45° su un top, usate la parte curva di 22.5 mm del CMT650.

Come per le giunzioni a 90°, per quelle a 45° il top deve essere tagliato con il giusto lato verso l'alto, a seconda che il piano debba stare a destra o a sinistra o sia maschio o femmina.

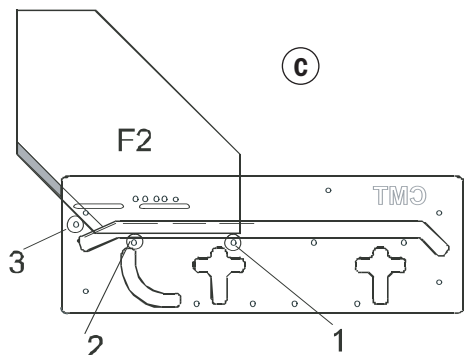
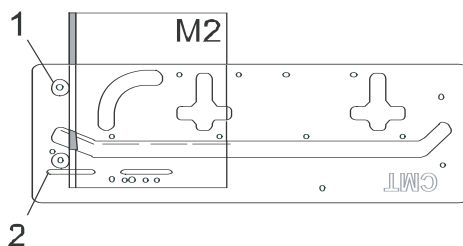
La prima cosa da fare è decidere e tagliare l'angolo a 45° (se possibile lasciate uno scarto per poter poi fresare di nuovo se la giunzione non fosse corretta). Quando tagliate la lunghezza del top usate una sega per eliminare la maggior parte del materiale in eccesso fino a 3 mm dalla linea di taglio stabilita, poi rifinite il bordo con un'elettrofresatrice contro il bordo della dima o un bordo comunque dritto. In questo modo otterrete un bordo dritto contro cui allineare gli stop.

Taglio della giunzione femmina (Vedi fig. C)

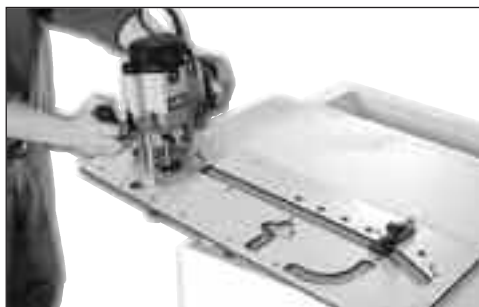
Inserite due perni di centraggio nei fori **C** e uno nel foro **G**. Posizionate il sistema di giunzione per cucina CMT650 sul top con lo stop **G** contro il bordo anteriore e i perni di battuta **C** contro il bordo tagliato ad angolo. Tagliate con l'elettrofresatrice seguendo la stessa procedura della giunzione a 90°.

Taglio della giunzione maschio (Vedi fig.D)

Inserite i perni di battuta nei fori **A**, teneteli premuti saldamente contro il bordo anteriore del top e fissate bene il sistema di giunzione per cucina CMT650 con i morsetti. Tagliate con l'elettrofresatrice seguendo la stessa procedura della giunzione a 90°.


D


Realizzazione delle sedi



Per realizzare le sedi per i tiranti inserite due perni di battuta nei fori **D**. Il loro posizionamento deve essere distante non meno di 100 mm dal bordo anteriore del top. La distanza tra le due sedi può essere la stessa predefinita dal sistema di giunzione per cucina CMT650 o variare per adattarsi alla larghezza del top. RicordateVi di farle combaciare su entrambe le sezioni della giunzione, partendo dal bordo anteriore tramite misurazione o utilizzando un listello.

Fate aderire saldamente i perni di battuta al bordo della giunzione e fissateli con dei morsetti. Fresate le sedi in modo tale che il bullone del morsetto sia al centro della profondità del top. Per quest'operazione utilizzate sempre la stessa fresa da 12mm e lo stesso anello di guida da 30mm, fresate sempre in più passaggi eliminando tutto lo sfrido dalle sedi.

Durante l'assemblaggio della giunzione Vi consigliamo di inserire dei biscotti (misura 20) per aiutarVi ad allineare le superfici dei top ed evitare movimenti tra i piani. Le sedi per i biscotti possono essere fresate con l'elettrofresatrice o con una fresa per le giunzioni a biscotto tra le sedi per i morsetti inserite non meno di 4 biscotti in un piano lungo 600mm.

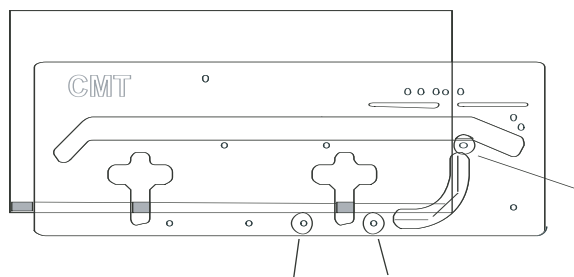
Per tagliare una sede per un biscotto con l'elettrofresatrice, utilizzate un alberino, il codice 822.340.11, una fresa a disco spessore 4mm, Ø47.6mm e un cuscinetto di guida da 22mm per ottenere una sede di 12.8mm (il biscotto misura 20 è largo circa 24mm). Fresa per giunzioni a biscotto, alberino, e cuscinetto codice 922.340.11B (attacco 12mm) 822.340.11B (attacco 12,7mm) o 922.340.11A (attacco 8mm) 822.340.11A (attacco 6,35mm).

Il punto di giunzione dei due lati tagliati della giunzione deve essere sigillato per evitare che l'acqua penetri all'interno. Potete utilizzare per questo un collante resistente all'acqua o meglio un sigillante adesivo per top colorato. Quest'ultimo può essere acquistato in una gamma di colori che possono essere mescolati per adattarsi al colore della finitura del Vostro top. Se lavorate con top economici potrebbe capitare che il truciolare si sfaldi o si scheggi durante il taglio. Dovrete quindi carteggiarlo leggermente prima dell'assemblaggio. Fate molta attenzione a non carteggiare anche il rivestimento.

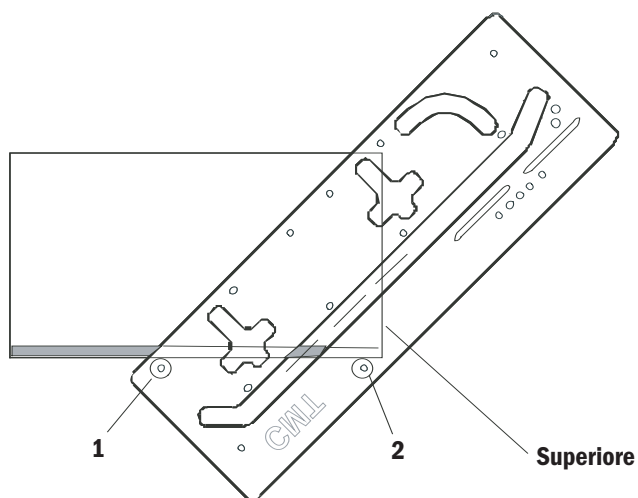
Altri impieghi del CMT650

Angoli a 45° e parti raggiate

Per eseguire una parte raggiate su un top o una penisola, inserite tre perni di battuta nei fori **E** ed eseguite il taglio con l'elettrofresatrice in più passaggi come descritto in precedenza.



Per eseguire un angolo a 45° sulle parti di un top o di una penisola inserite due stop nei fori **F** ed eseguite il taglio con l'elettrofresatrice in più passaggi, come descritto in precedenza.



Inhaltsverzeichnis	58
Schachtelinhalt	59
Nötiges Werkzeug	60
Sicherheitsbestimmungen	61-62
CMT650 Verbindungssystem für Küchenarbeitsflächen	63
Anleitung zur Ausführung von Verbindungen	64
Ausführung einer 90 Grad Verbindung	65-66-67
Ausführung von rechtwinkligen Verbindungen	68
Ausführung von 45 Grad Verbindungen	68-69
Vorbereitung der Spannschraubensitze der Arbeitsfläche	69
Montage der Küchenarbeitsfläche	70
Weitere Verwendungen des CMT650-Systems	71

ACHTUNG!!

Die in diesem Handbuch verwendeten Symbole weisen auf die richtige Schutzausrüstung hin, die während der Arbeit getragen werden muss.

Symbole der Schutzausrüstung





Code: CMT650 Verbindungssystem für Küchenarbeitsflächen

Nr. 1 A Schablone für Küchenarbeitsflächen aus Phenol

Nr. 3 B Anschlagstifte aus verzinktem Metall

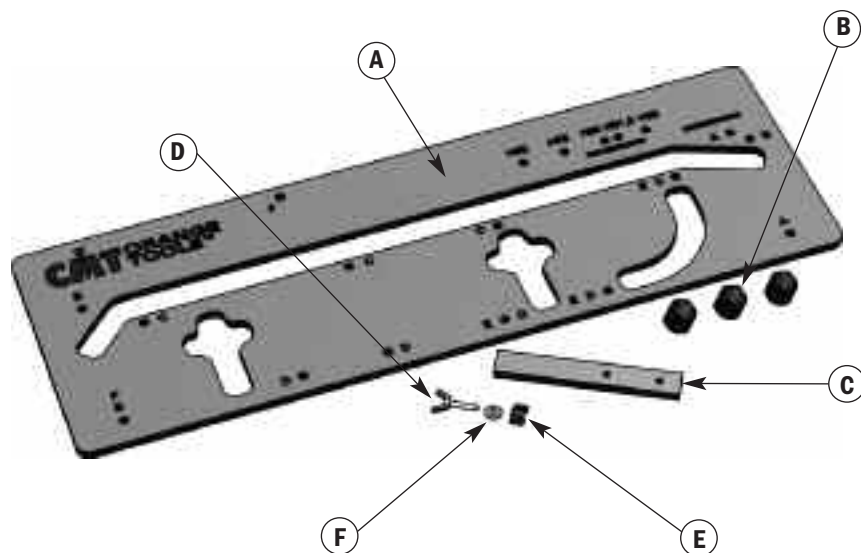
Nr. 1 C Gleitanschlagstift aus Phenol

Nr. 1 D Mutter mit Befestigungsring aus Plastik

Nr. 1 E Mutterschraube M8

Nr. 1 F Unterlegscheibe M8

Nr. 1 Bedienungsanleitung



- A** Tragbare Elektrofräsmaschine mit 12 oder 12,7mm Spannange
- B** Führungsnietbolzen Ø30mm (Bestell-Nr. 899.007.00)
- C** Schlüssel und Schrauben zur Befestigung der Führungsnietbolzen
- D** Zwei Klemmen (lange Version mit weichem Mantel oder Formscheibenschuttlager sind die beste Lösung)
- E** Ø12mm x 50mm Nutfräser (40mm für dünnere Arbeitsflächen)
- F** Gehörschutz, Schutzbrillen oder Gesichtsschutzschild



Korrekte Vorgangsweisen für Ihre Sicherheit!

Mit den folgenden Empfehlungen sollen Ihnen und Ihren Mitarbeitern korrekte Vorgangsweisen nahegelegt, eine 100%-ige Sicherheit gewährleistet, sowie Werkzeuge und Geräte für den nächsten Einsatz in gutem Zustand bewahrt werden.



ACHTUNG!!

Halten Sie Werkzeuge und Geräte von Kindern fern

1. Vergewissern Sie sich, dass Sie die Elektrofräsmaschine verwenden können, bevor das CMT650 Verbindungssystem für Küchen eingesetzt wird.
2. Befolgen Sie stets die Anweisungen des Herstellers der Elektrofräsmaschine, sowie die Sicherheitsbestimmungen.
3. Sollten Sie zum ersten Mal ein Verbindungssystem für Küchenarbeitsflächen verwenden, machen Sie vorher ein paar Probeschnitte an Abfallstücken, um mit den Vorgangsweisen, den Arbeitsschritten und den Merkmalen der Fräsmaschinentypen, der Materialien, der Elektrofräsmaschine, sowie der Schablone vertraut zu werden.
4. Tragen Sie immer Gehörschutz und Schutzbrillen während der Arbeit.
5. Tragen Sie immer eine Staubschutzmaske oder ein Atemschutzgerät und verwenden Sie, wenn möglich, eine Staubabsaugvorrichtung.
6. Vermeiden Sie weite Kleidung und binden Sie die Haare zusammen.
7. Entfernen Sie immer Schlüssel oder Greifer von der Elektrofräsmaschine und lassen Sie diese während der Arbeit nicht auf der Arbeitsfläche oder der Maske liegen.
8. Schalten Sie immer die Elektrofräsmaschine aus und warten Sie, bis diese sich nicht mehr dreht, bevor Sie die Fräse heben.
9. Befestigen Sie das Werkstück während des Fräsvorgangs immer auf einer harten und sicheren Unterlage.
10. Schneiden Sie, wenn möglich, immer die Verbindungen, bevor Sie die endgültige Länge schneiden.

HW-Fräser und Spannzange

Bei der Fertigung von Küchenarbeitsflächen wird die Schnittfläche der HW-Fräser bald durch die Rauheit der Spanplatte und deren Beschichtung abgenützt. Daher ist es schwierig, mit dem selben Fräser mehr als drei Küchenarbeitsflächen ohne Splitterungen zu fertigen. Vergewissern Sie sich, dass der Fräser immer sauber und (scharf) geschliffen sind.

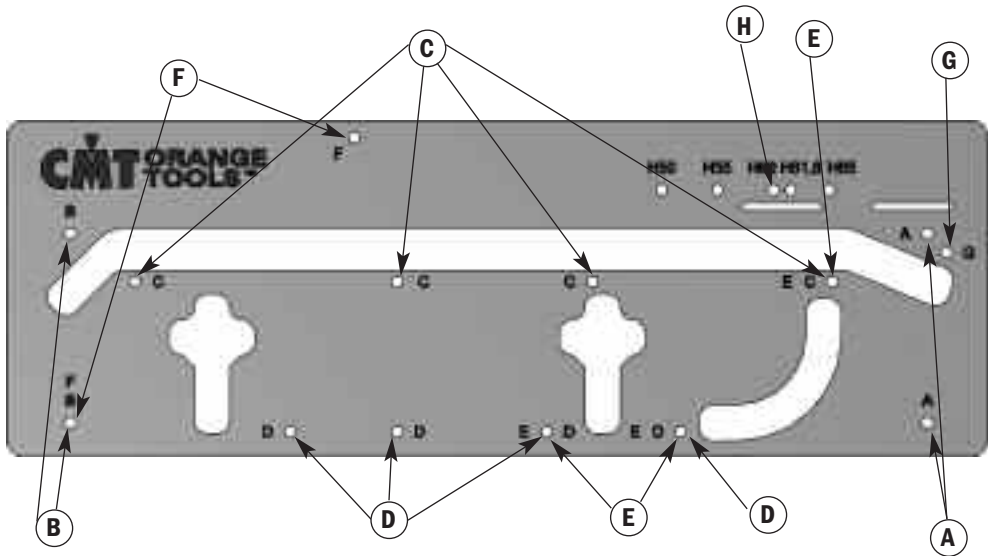


Vergewissern Sie sich, dass der Fräser korrekt an der Spannzange der Elektrofräsmaschine fixiert ist



Kontrollieren Sie immer, dass der Führungsring zur Fräse zentriert ist, verwenden Sie einen Bolzen für die Zentrierung.

Um eine korrekte Positionierung auf der Aufsatzfläche zu erzielen, ist das CMT650 Verbindungssystem für Küchen mit drei Anschlagstiften aus verzinktem Metall versehen, die in die vorgegebenen Löcher gesteckt werden und so die verschiedenen Arbeitsvorgänge erleichtern. Jeder Anschlagstift hat zwei Neoprenringe, um so noch fester mit dem CMT650 Verbindungssystem fixiert zu werden. Ist es schwierig, den Anschlagstift zu fixieren, schmieren Sie die Ringe mit etwas Öl oder Seife. Vergewissern Sie sich, dass der Anschlagstift gut in den Löchern fixiert ist und dieser an der Unterseite aus dem CMT650 Verbindungssystem austritt. Die Löcher für die Metallanschlagstifte sind durch entsprechende Buchstaben gekennzeichnet, die sich jeweils auf den spezifischen Arbeitsschritt beziehen:



- A.** 2 Löcher - Außenseite der 45° Verbindung
- B.** 2 Löcher - Außenseite der 90° Verbindung
- C.** 4 Löcher - Innenseite der 90° und 45° Verbindungen
- D.** 4 Löcher - Fixierlöcher der Spannschrauben
- E.** 3 Löcher - Radialausführung der Ecken (r8,2)
- F.** 2 Löcher - Ausführung der 45° Ecken
- G.** 1 Loch - Innenseite der 45° Verbindung
- H.** 1 Loch - Innenseite der 90° Verbindung
- H.** 1 Loch - (nur 500, 550, 600, 616, 650mm Flächen)

ANM: Das Verbindungssystem muss mit einem 30mm Führungsnietbolzen und einem Ø12mm Nutfräser eingesetzt werden.

Vergewissern Sie sich immer, dass die richtige Seite und zur abgerundeten Flächenkante hin gefräst wird. Während des Arbeitsprozesses fräst sich der im Uhrzeigersinn drehende Fräser genau die linke Schnittseite, splittert aber die Oberfläche der rechten Seite ab, daher muss sich der Verschnitt immer rechts vom Fräser befinden.

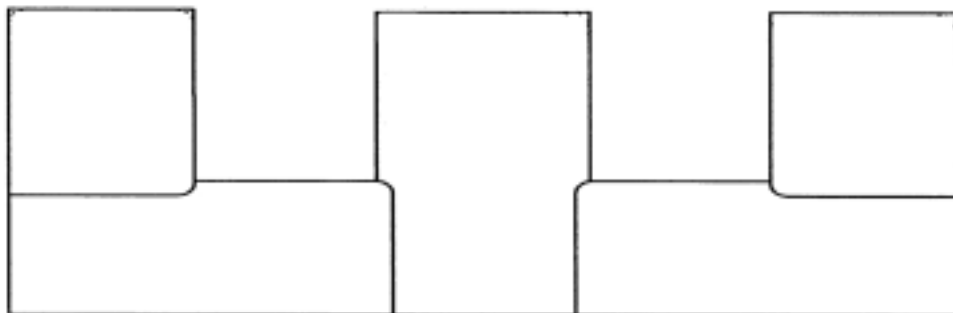


Verwenden Sie beim Schneiden der Arbeitsflächen eine Klinge, um den überschüssigen Teil zu entfernen, wobei zusätzlich 3mm als Spielraum für den Abfall gelassen werden müssen; bearbeiten Sie danach die geschnittene Kante mit der Elektrofräsmaschine, die entlang der Kante der CMT650 Verbindung geführt wird. So wird eine eckige Kante erzielt, an der die Anschlagstifte des CMT650 Verbindungssystems ausgerichtet werden können. Denken Sie immer daran, am abgerundeten Kanteninneren und niemals an der Außenseite zu fräsen.

Werden Klemmen verwendet, legen Sie eine weiche Unterlage zwischen Klemme und die beschichtete Arbeitsflächenseite.

Schneiden Sie, wenn möglich, die Arbeitsfläche immer etwas länger als nötig, um Veränderungen an der Verbindung vornehmen zu können, falls der erste Schnitt nicht korrekt sein sollte.

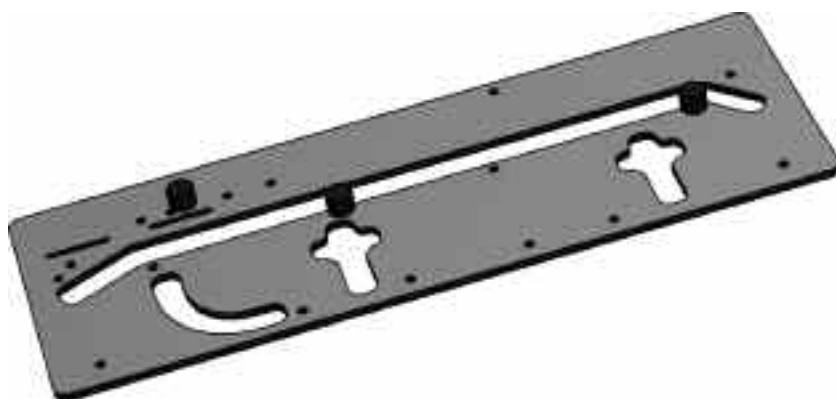


**ACHTUNG!!**

Wird eine 90° Verbindung nach rechts ausgeführt, muss die beschichtete Seite nach oben zeigen. Für die entsprechende Federverbindung drehen Sie die Arbeitsfläche um.

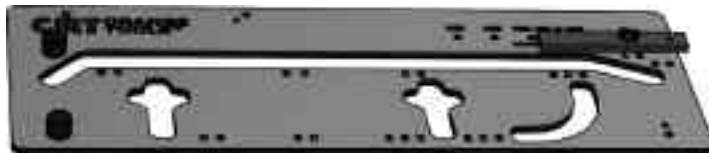
Wird eine 90° Verbindung nach links ausgeführt, muss die beschichtete Seite nach unten zeigen. Für die entsprechende Federverbindung drehen Sie die Arbeitsfläche um.

Positionieren Sie zunächst die Schablone entsprechend der Breite der Aufsatzfläche. Bei einer 600mm Standardarbeitsfläche verwenden Sie die H Löcher. Ist die Aufsatzfläche breiter oder schmaler als 600mm, verwenden Sie den Gleitanschlagstift.



Verwendung des Gleitdübels

Nachdem der Gleitanschlagstift positioniert wurde, fixieren Sie diesen an der Unterseite des CMT650 Verbindungssystems mit der beigelegten M8 Mutterschraube, die mit der Befestigungsmutter D und der Unterlegscheibe F durch die geweiteten Löcher gesichert werden. Stecken Sie zwei Anschlagstifte in die Löcher B, drücken Sie diese gegen den Arbeitsflächenoberteil und kontrollieren Sie, dass das CMT650 Verbindungssystem senkrecht zur Arbeitsfläche steht. Stellen Sie den Gleitanschlagstift auf die hintere Kante ein und fixieren Sie die beigelegte Klemme.

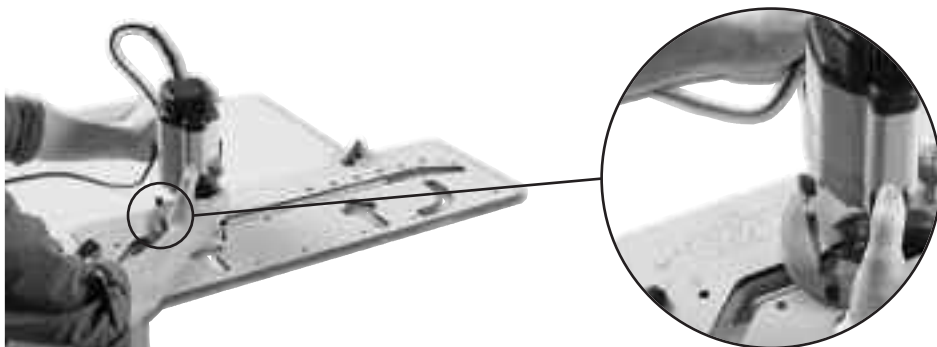


Fräsen der Nutverbindung

Stecken sie den Dübel in das Loch C (siehe Seite 63). Ein Anschlagstift drückt gegen das Arbeitsflächenendstück und zwei drücken an den Hauptteil. Stecken Sie den Anschlagstift vorne in zwei der vier Löcher, wobei die Arbeitsflächenbreite den Abstand bestimmt. Vergewissern Sie sich, dass alle Anschlagstifte gut in die Arbeitsflächenkanten greifen, bevor die Formscheibe mit den Klemmen auf der Aufsatzfläche fixiert wird, wobei diese die Bewegungen der Elektrofräsmaschine nicht behindern dürfen.

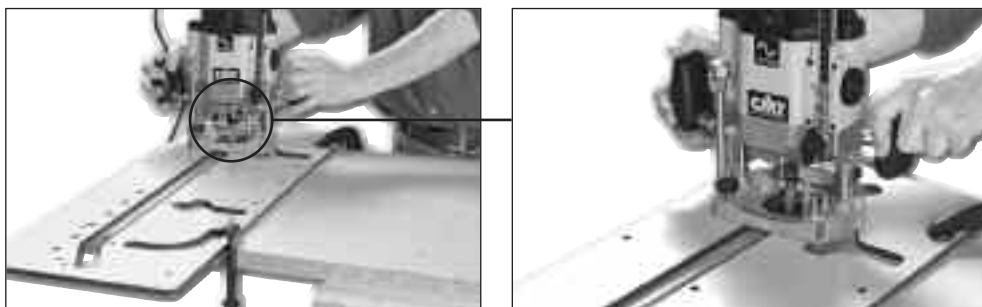
Schnitt

Führen Sie mehrere kleine Schnitte aus, denn je feiner der Schnitt, umso geringer ist der Druck, der auf die Elektrofräsmaschine ausgeübt wird, die somit leichter zu handhaben ist. Fräsen Sie mit konstanter Geschwindigkeit und vergewissern Sie sich, dass die Elektrofräsmaschine immer senkrecht zur Schablone arbeitet und auf dieser aufliegt. Fräsen Sie immer von links nach rechts und halten Sie den Führungsnietbolzen fest an der Kante. Drücken Sie schließlich die Elektrofräsmaschine noch fester gegen die geschnittene Kante und führen Sie den Fräsendlauf an der gesamten Tiefe durch.



Fräsen der Federverbindung

Drehen Sie zunächst die Arbeitsfläche und kontrollieren Sie, dass diese richtig positioniert ist. Beim Federschnitt lassen Sie den Gleitanschlagstift oder den Anschlagstift H in ihrer Position und stecken Sie zwei Anschlagstifte in die Löcher B. Positionieren und fixieren Sie das CMT650 Verbindungssystem am Arbeitsflächenende und vergewissern Sie sich, dass dieses vorne senkrecht zur Kante steht und die Anschlagstifte gut in die Flächenenden greifen. Stützen Sie den Verschnitt der Arbeitsfläche mit einer Klemme oder einer anderen Arbeitsfläche ab, um zu vermeiden, dass das Furnier bei Sturz beschädigt wird. Fräsen Sie diesen Teil genau wie die Nute.

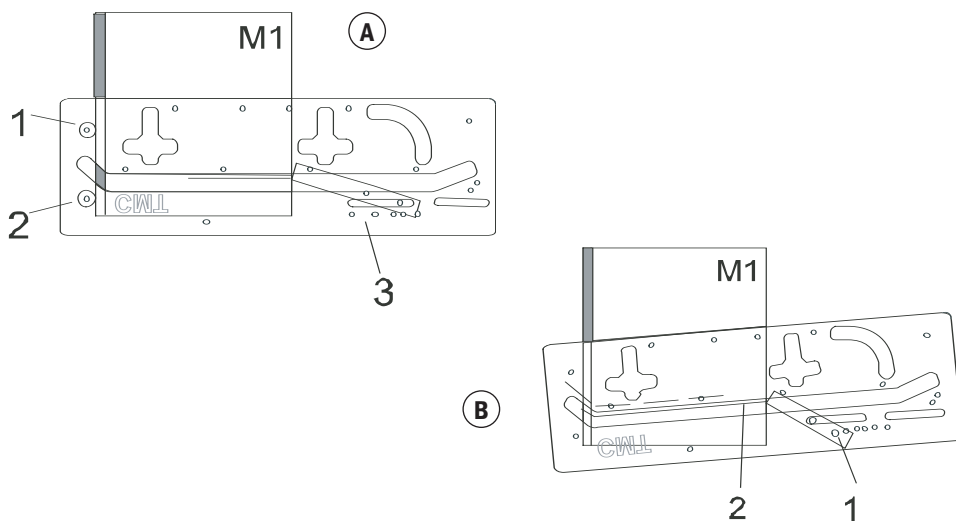


Ausgleich nicht rechtwinkliger Ränder

Mit dem CMT650-System können auch kleine Korrekturen bis zu höchstens +3° vorgenommen werden. Diese Verbindungen sind natürlich nie so genau wie 90° Verbindungen. Es wird immer die Federverbindung ausgeglichen. Wenn möglich legen Sie die Feder auf die Nute, sollten Sie nicht genügend Platz haben, verwenden Sie einen konischen Messschieber oder ein anderes Messgerät, um den Winkel zu messen und auf die Arbeitsfläche zu übertragen. Achten Sie auf den zu fräsenden Teil und positionieren Sie entsprechend die Aufsatzfläche. Zeichnen Sie auf der Federrückseite die Nutinnenkante nach, diese Linie kennzeichnet die Schnittlinie des Federwinkels. Drehen Sie den Federteil um und kennzeichnen Sie die Linie gut sichtbar.

Abbildung A: Stecken Sie zwei Anschlagstifte in die Löcher B und positionieren Sie mit dem Gleitanschlagstift das CMT650 Verbindungssystem auf der Aufsatzfläche mit den beiden Anschlagstiften senkrecht gegen die Vorderkante. Kontrollieren Sie, dass die Anschlagstifte gut in die Vorderkante greifen und fixieren Sie das CMT650 Verbindungssystem mit zwei Klemmen an der Aufsatzfläche. Legen Sie den spitzen Teil des Gleitanschlagstifts an das Ende dieser Linie und fixieren Sie mit Klemmen.

Abbildung B: Entfernen Sie die beiden Vorderanschlagstifte. Legen Sie das CMT650 Verbindungssystem auf die Schnittlinie mit der Spitze des Gleitanschlagstifts am Winkelschnittlinienende. Wenden Sie das CMT650 Verbindungssystem, indem Sie sich auf die genannte Stelle stützen, bis die Führungskante parallel zur Winkelschnittlinie liegt. Fixieren Sie gut das CMT650 Verbindungssystem an der Aufsatzfläche und schneiden Sie die Federverbindung wie bereits beschrieben.



Ausführung einer 45° Verbindung

Um eine 45° Verbindung an einer Aufsatzfläche vorzunehmen, verwenden Sie den gebogenen 22.5 mm Teil des CMT650-Systems.

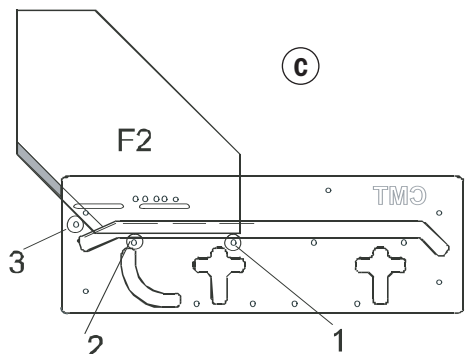
Wie bei 90° Verbindungen muss auch bei 45° Verbindungen die Aufsatzfläche mit der richtigen Seite nach oben geschnitten werden, je nach dem, ob die Arbeitsfläche rechts oder links liegt. Zunächst muss der Winkel bestimmt und dann 45° geschnitten werden (lassen Sie, wenn möglich, einen Spielraum für den Abfall, um danach nochmals zu fräsen, sollte die Verbindung nicht korrekt sein). Verwenden Sie beim Schneiden der Arbeitsflächenlänge eine Säge, um den meisten überschüssigen Teil zu entfernen, wobei zusätzlich 3mm als Spielraum von der angegebenen Schnittlinie gelassen werden sollten; bearbeiten Sie danach die Kante mit einer Elektrofräsmaschine, die gegen die Kante der Schablone oder jedenfalls gegen eine gerade Kante geführt wird. So wird eine eckige Kante erzielt, an der die Dübel ausgerichtet werden können.

Schnitt der Nutverbindung (siehe Abb. C)

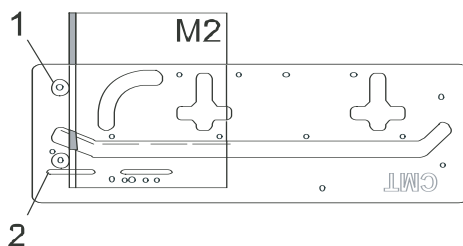
Stecken Sie zwei Zentrierstifte in die Löcher C und einen in Loch G. Positionieren Sie das CMT650 Verbindungssystem auf der Aufsatzfläche mit Dübel G gegen die Vorderkante und die Anschlagstifte C gegen die winkelig geschnittene Kante. Schneiden Sie mit der Elektrofräsmaschine wie bei einer 90° Verbindung.

Schnitt der Federverbindung (siehe Abb.D)

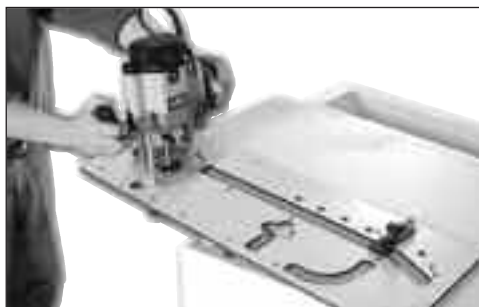
Stecken Sie die Anschlagstifte in die Löcher A und drücken Sie diese gegen die Vorderkante der Aufsatzfläche, fixieren Sie mit den Klemmen gut das CMT650 Verbindungssystem. Schneiden Sie mit der Elektrofräsmaschine wie bei einer 90° Verbindung.



(D)



Vorbereitung der Schraubensitze



Um die Spannschraubensitze vorzubereiten, stecken Sie zwei Anschlagstifte in die Löcher D, diese müssen mindestens 100 mm von der Vorderkante der Aufsatzfläche entfernt sein. Die beiden Schraubensitze können ebenso weit von einander entfernt sein, wie vom CMT650 Verbindungssystem vorgegebenen ist, oder je nach Breite der Aufsatzfläche variieren. Vergessen Sie nicht, dass die Schraubensitze mit beiden Verbindungen übereinstimmen müssen, indem von der Vorderkante aus gemessen oder eine Leiste verwendet wird.

Sobald die Anschlagstifte fest an der Verbindungskante greifen, diese mit Klemmen fixieren. Fräsen Sie die Schraubensitze so, dass die Klemmenmutter in der Mitte der Aufsatzflächentiefe eingesetzt wird. Verwenden Sie dazu immer denselben 12mm Fräser und 30mm Führungsring, fräsen Sie immer in mehreren Arbeitsgängen und entfernen Sie zur Gänze den Fräsabfall aus den Schraubensitzen.

Während der Verbindungsmontage empfehlen wir Ihnen, Bolzen (Größe 20) einzufügen, um leichter die Aufsatzflächen auszurichten und Rutschen zwischen den Arbeitsflächen zu vermeiden. Die Bolzensitze können mit der Elektrofräsmaschine oder einer Fräse für Bolzenverbindungen gefräst werden; stecken Sie zwischen den Klemmsitzen nicht weniger als 4 Bolzen in eine 600mm lange Arbeitsfläche.

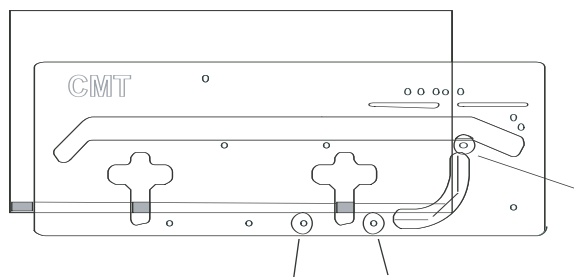
Um einen Bolzensitz mit der Elektrofräsmaschine zu schneiden, verwenden Sie eine Spindel, Bestell-Nr. 822.340.11, einen Scheibennutfräser mit \varnothing 47,6mm und 4mm Schnittbreite und ein 22mm Führungslager für einen Sitz von 12.8mm (der Bolzen Größe 20 ist ca. 24mm breit). Fräse für Bolzenverbindungen, Spindel und Lager Bestell-Nr. 922.340.11B (12mm Schaft) 822.340.11B (12,7mm Schaft) oder 922.340.11A (8mm Schaft) 822.340.11A (6,35mm Schaft).

Die Verbindungsstelle der beiden geschnittenen Verbindungsseiten muss abgedichtet werden, um zu vermeiden, dass Wasser in das Innere eindringt. Dazu kann ein wasserfestes Klebeband oder besser eine Klebedichtungsmasse für farbige Arbeitsplatten verwendet werden. Diese Dichtungsmasse ist in vielen verschiedenen Farben erhältlich, die gemischt werden können, um sie an die Farbe der Arbeitsplatten anzupassen. Werden billige Arbeitsplatten verwendet, kann passieren, dass die Spanplatte während des Schnitts abblättert oder splittert. Diese müssen daher vor der Montage zart geschliffen werden. Geben Sie Acht, dass die Beschichtung nicht auch abgeschliffen wird.

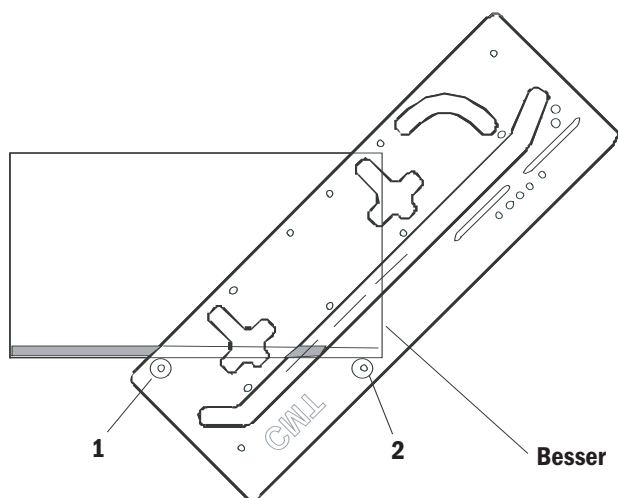
Weitere Verwendungen des CMT650-Systems

45° Winkel und Radialteile

Um einen Radialteil an einer Aufsatzfläche oder einer Halbinsel auszuführen, stecken Sie drei Anschlagstifte in die Löcher E und nehmen Sie den Schnitt in mehreren Arbeitsgängen mit der Elektrofräsmaschine in bereits beschrieben vor.



Um einen 45° Winkel an den Teilen einer Arbeitsplatte oder einer Halbinsel auszuführen, stecken Sie zwei Dübel in die Löcher F und nehmen Sie die Fräsung in mehreren Arbeitsgängen mit der Elektrofräsmaschine wie bereits beschrieben vor.





© 2007 C.M.T UTENSILI S.P.A.

03.60.0218

This document has been sent for your personal use only. All usage and reproduction is forbidden without written permission from C.M.T. UTENSILI S.P.A.

Este documento ha sido realizado solo para uso personal. Se prohíbe todo tipo de uso o reproducción sin la autorización escrita de C.M.T. UTENSILI S.P.A.

Document envoyé seulement pour usage personnel. Toute utilisation ou reproduction est interdite sans l'autorisation écrite de C.M.T. UTENSILI S.P.A.

Questo documento è stato inviato solo per uso personale. Qualsiasi uso o riproduzione è proibito senza il permesso scritto di C.M.T. UTENSILI S.P.A.

Dieses Dokument dient nur dem persönlichen Gebrauch. Jegliche Nutzung oder Vervielfältigung ist ohne schriftliche Erlaubnis der Firma C.M.T. UTENSILI S.P.A. untersagt.

Printed in Italy

Impreso in Italia

Imprimé en Italie

Stampato in Italia

Gedruckt in Italien