

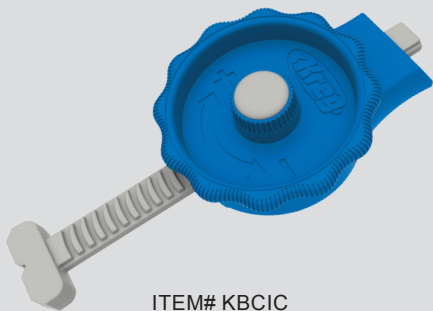


NEW

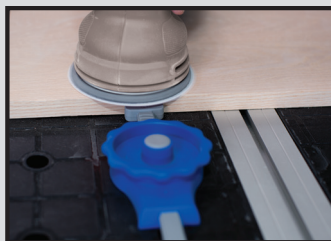
In-Line Clamp

Hold workpieces of all shapes and sizes without the clamp getting in the way. Plus, get more from any bench that has $\frac{3}{4}$ " (19 mm) dog holes, or drill to add in-line clamping almost anywhere.

**HOLD WORKPIECES IN PLACE SECURELY
WITHOUT THE CLAMPS GETTING IN THE WAY**



ITEM# KBCIC

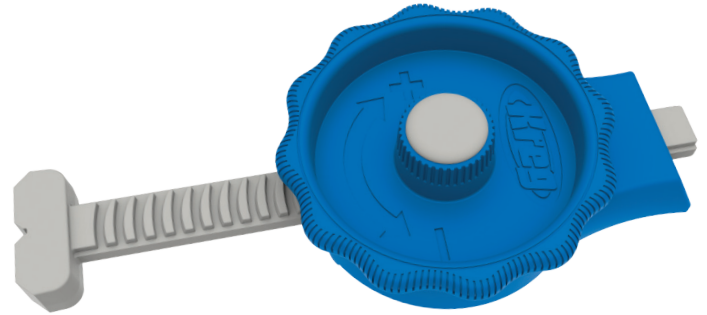




In-Line Clamp

ITEM# KBCIC

NEW PRODUCT
Information Packet



What Your Customers Need To Know

The Kreg® In-Line Clamp holds workpieces and assemblies in place without getting in the way. By applying pressure from the side, rather than from overhead, the In-Line Clamp stays out of the way as you work. A peg that fits into any 3/4" (19 mm) diameter hole holds the clamp in place, so the In-Line Clamp makes it possible to get more from any bench with dog holes—or any work surface where you can drill holes. The In-Line Clamp also makes a perfect companion to the Kreg Mobile Project Center.

What does it do?

The In-Line Clamp gives you the helping hand you need, when you need it, with versatility and power for a wide variety of do-it-yourself and woodworking tasks. The patented design and technology of the clamp applies pressure—up to 113 kg of force—from the side, rather than from overhead. A low-profile, 13 mm-thick clamp shoe sits below the surface of 3/4" (19 mm)-thick materials, and can hold flat, rounded, and angled pieces. This makes the In-Line Clamp great for holding workpieces while you are cutting, sanding, routing, assembling, rolling on paint, and more. The In-Line Clamp also makes a perfect companion to the Kreg Mobile Project Center.

What problem does this solve for me?

The In-Line Clamp expands the capability of any work surface that has 3/4" (19 mm) bench dog holes by providing a way to apply clamping pressure from the side, and to keep the clamp out of the way of most materials and assemblies while you work. You can clamp irregular shapes, and swivel the clamp to apply pressure from any direction. The Kreg In-Line Clamp gives you the helping hand you need, when you need it, with the versatility and power you want for a wide variety of do-it-yourself and woodworking tasks.

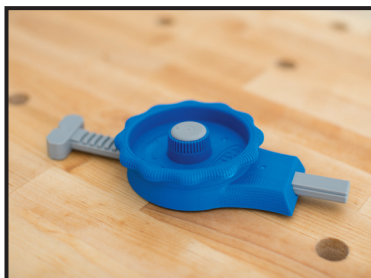
How does it work?

The In-Line Clamp is simple to use. Just insert the mounting peg into a 3/4" (19 mm) bench dog hole—or drill a 3/4" (19 mm) hole if your work surface doesn't have one. Then, swivel the In-Line Clamp to the direction you need. Turn the adjustment dial clockwise to move the pushrod and clamp shoe until it contacts your workpiece. Turn the knob further to apply clamping pressure.

Key Features

- Durable plastic construction
- Easy-to-use adjustment dial with contoured grip
- Clamp shoe that holds multiple shapes, including corners, for versatility in all types of projects
- 121 mm adjustment range
- Peg fits standard 3/4" (19 mm) bench dog hole
- Swivels 360° to apply clamping force in any direction
- 13 mm clamp shoe height sits below surface of 20 mm material
- 113 kg maximum clamping force

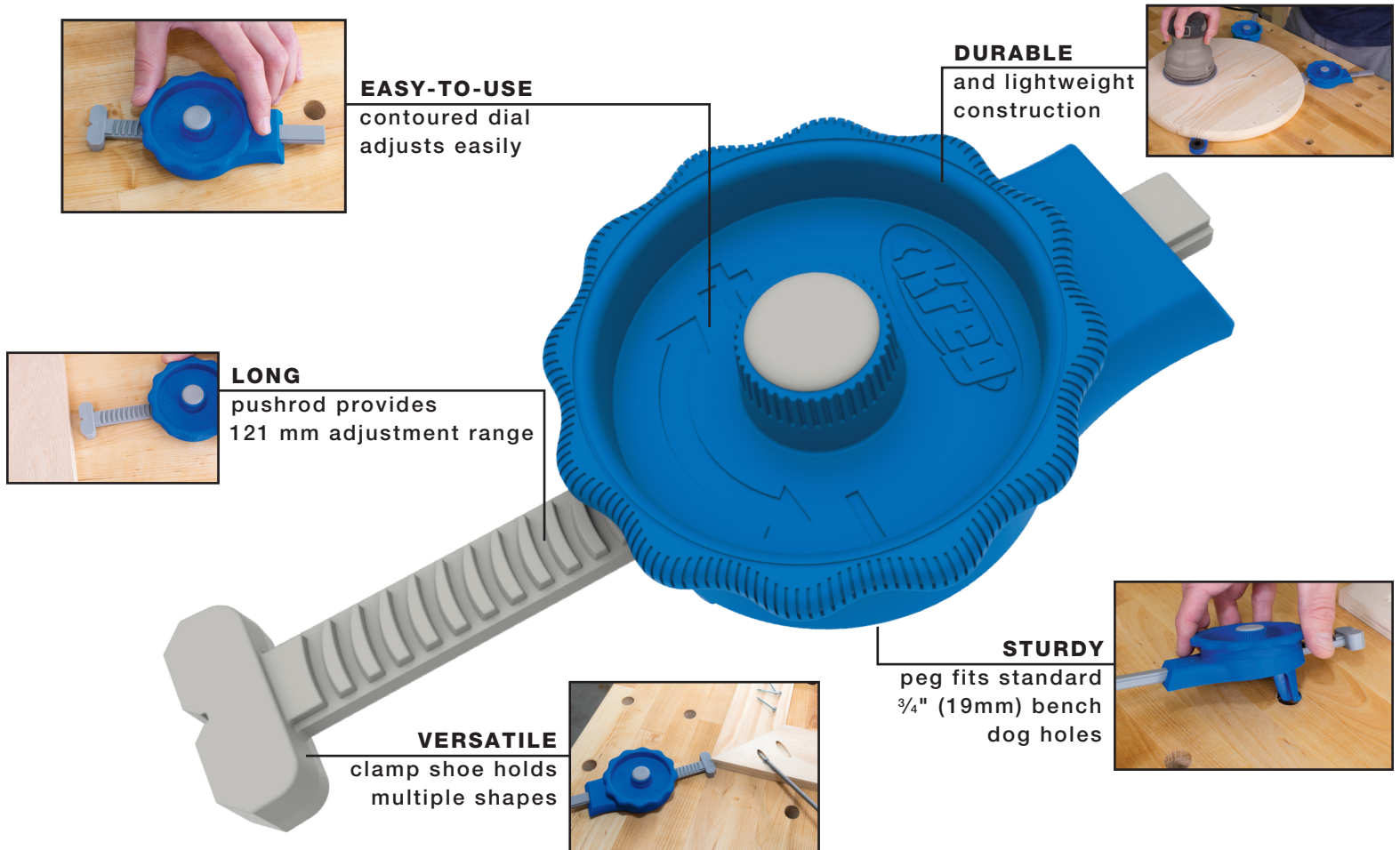
Images



Click here for downloadable product images

The Kreg® In-Line Clamp provides your customers with an easy-to-use clamp that holds a variety of workpieces and assemblies. By applying clamping pressure from the side instead of from above, the clamp also holds without getting in the way. The In-Line Clamp is a perfect companion to the Kreg Mobile Project Center, and works on any bench that's equipped with 3/4" (19mm) bench dog holes. Or, 3/4" (19mm) holes can be drilled to allow using the In-Line Clamp almost anywhere. With 113 kg of easy-to-apply clamping pressure, the In-Line Clamp offers your customers versatile clamping options at an attractive price.

Product Features



Product Buying Information

In the Package

- (1) In-Line Clamp

Related Kreg Products:

- Mobile Project Center
(Item# KWS1000-INT)
- Bench Dogs
(Item# KKS10170)
- Universal Bench
(Item# Multiple)

ITEM #:	KBCIC
Description	IN-LINE CLAMP
INT MSRP:	\$19.99 US
US MSRP:	\$19.99 US
Country of Origin:	USA
Case Qty:	4
Unit Height:	6.4 cm
Unit Width:	10.2 cm
Unit Depth:	21.6 cm
Unit Weight:	.2 kg
Harmonized Code:	8205.70.00.60
EAN:	0647096807542
Case I 2of5	16047096807549

Ship Date 01-Nov-2017

Marketing Date 01-Oct-2017

Announcement Date 08-Aug-2017